



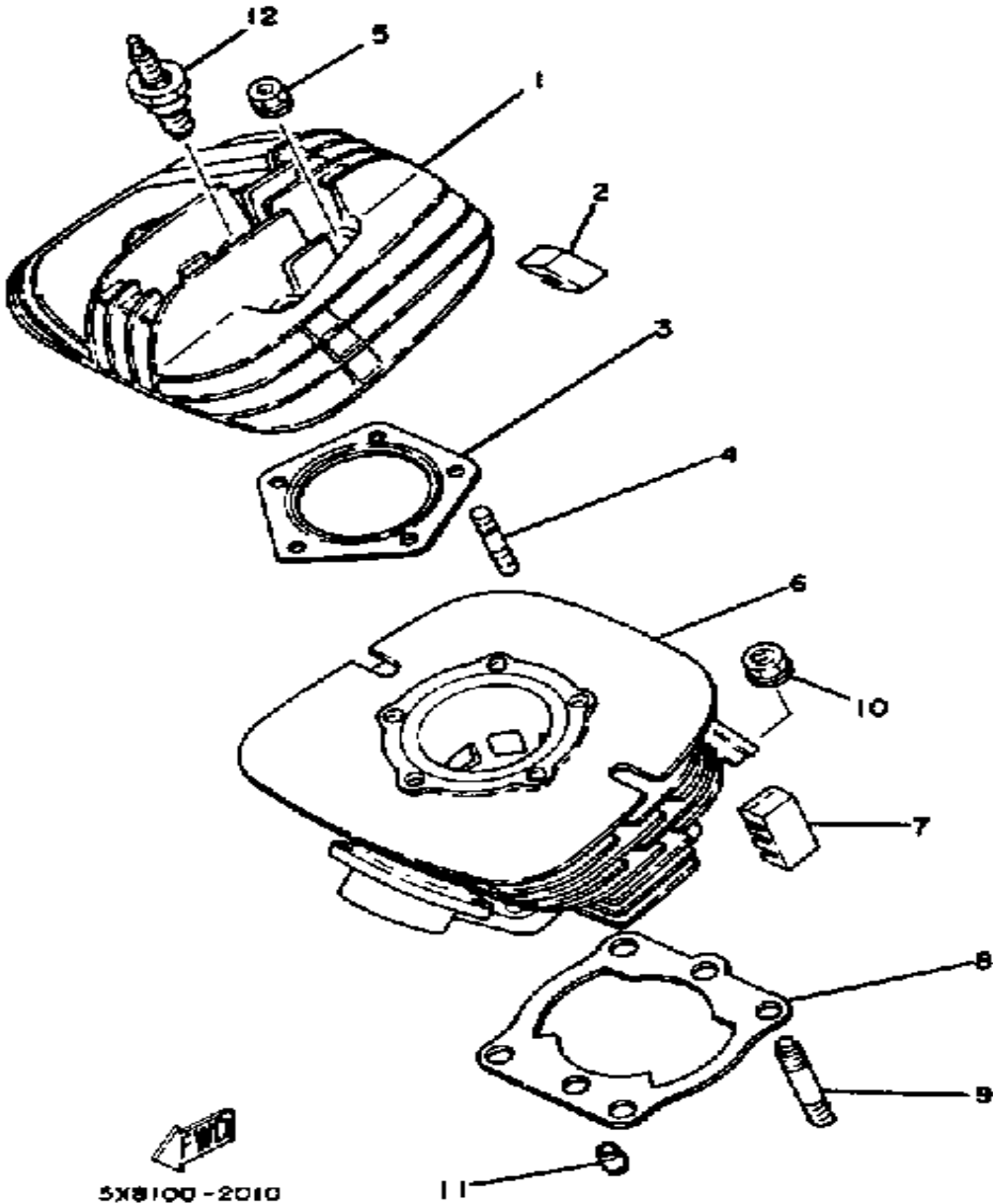
YAMAHA

GENUINE

PARTS CATALOGUE

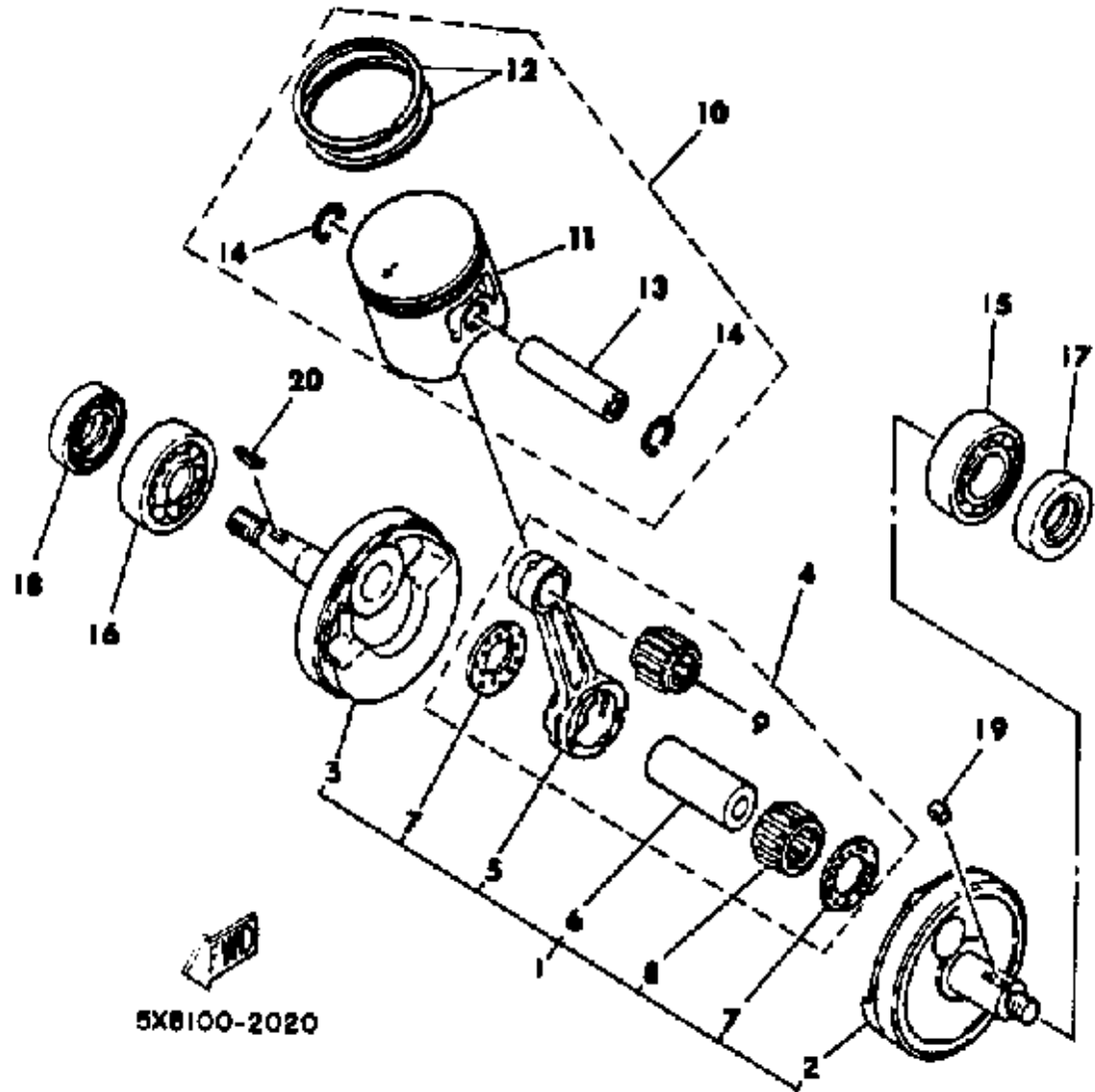
MOTORCYCLE

CYLINDER



Ref. No.	Part Number	Description	Qty	Remarks
1	(5X8-11111-00-00)	HEAD, CYLINDER 1	1	
2	3R6-11161-00-00	ABSORBER 1	3	
3	5X8-11181-00-00	GASKET, CYLINDER HEAD 1	1	
4	90116-08321-00	BOLT, STUD	5	
5	90179-08491-00	NUT, FLANGE	5	
6	5X8-11311-00-00	CYLINDER 1	1	
7	3R6-11162-00-00	ABSORBER 2	4	
8	4V2-11351-00-00	GASKET, CYLINDER	1	
9	90116-10278-00	BOLT, STUD	4	
10	95701-10500-00	NUT, FLANGE (95702-10500)	4	
11	99530-10014-00	PIN, DOWEL	2	
12	NGK-B8EG0-00-00	PLUG, SPARK (NGK B8EG) (94702-00323-00)	1	L.M.

CRANKSHAFT-PISTON

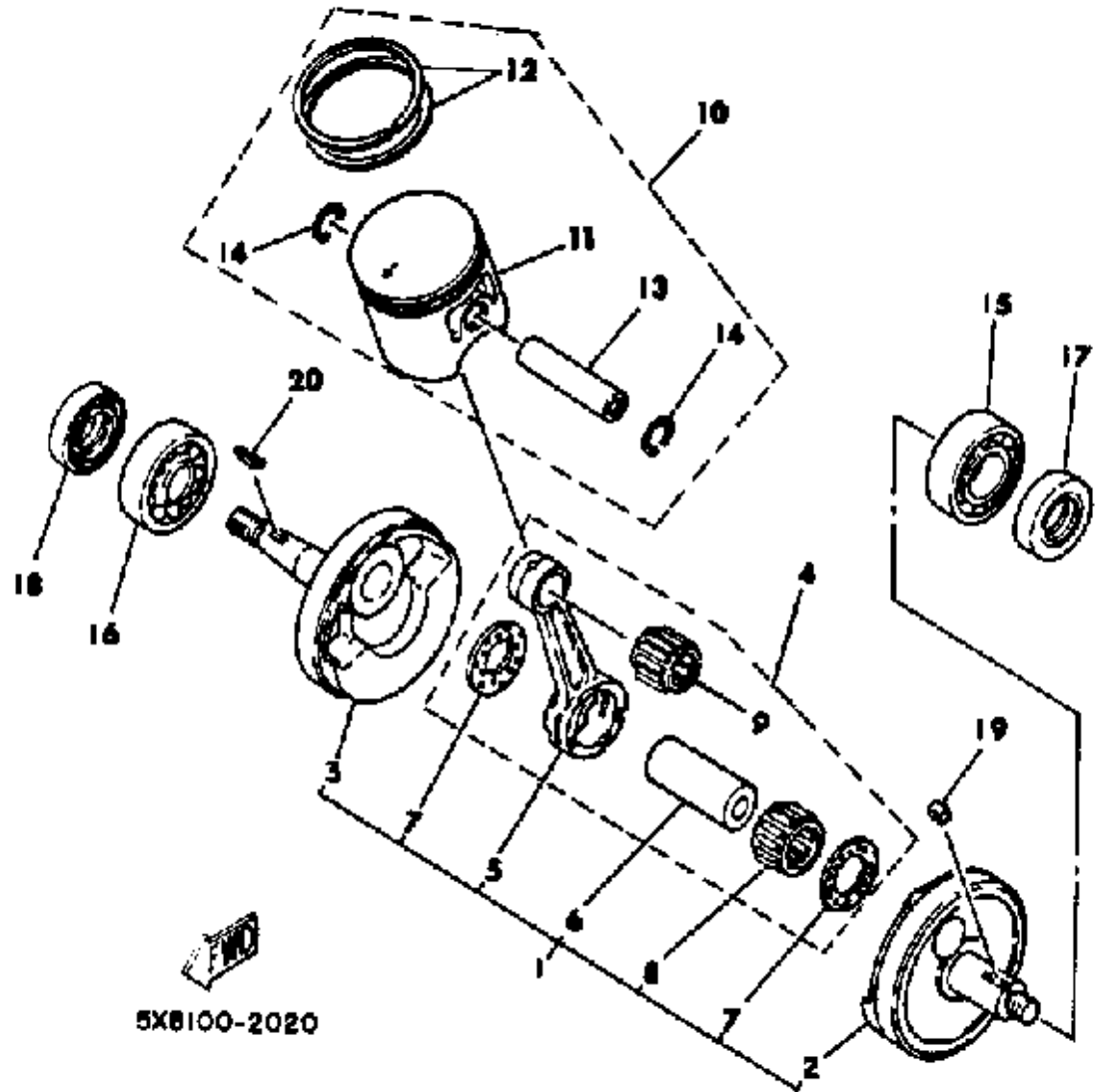


5X8100-2020

Ref. No.	Part Number	Description	Qty	Remarks
1	3R6-11400-00-00	CRANKSHAFT ASSEMBLY	1	
2	3R3-11412-00-00	. CRANK 1	1	
3	3R6-11422-00-00	. CRANK 2	1	
4	(3R2-11650-10-00)	CONNECTING ROD ASSEMBLY	1	
5	3R2-11651-01-00	.. ROD, CONNECTING	1	
6	3M5-11681-00-00	.. PIN, CRANK 1	1	
7	90209-22248-00	.. WASHER	2	
8	93310-422H0-00	.. BEARING, CYLINDER.# 0	1	
9	93310-216E1-00	.. BEARING	1	
10	5X8-11630-00-00	PISTON KIT STD	1	
11	5X8-11631-00-95	PISTON STD	1	
12	3JM-11601-00-00	PISTON RING SET (STD)	1	
13	251-11633-00-00	PIN, PISTON	1	
14	93450-17129-00	CIRCLIP	2	
15	93306-30421-00	BEARING (B6304C3)	1	
16	93306-20529-00	BEARING (B6205C4)	1	
17	93103-28126-00	OIL SEAL	1	
18	93102-25258-00	OIL SEAL, SD-TYPE	1	
19	90282-05038-00	KEY, STRAIGHT	1	
20	3JM-11601-10-00	PISTON RING SET (0.25MM O/S)	1	ALT. PART
	3JM-11601-20-00	PISTON RING SET (0.50MM O/S)	1	ALT. PART
	43G-11601-30-00	PISTON RINGSET 3RD	1	ALT. PART
	43G-11601-40-00	PISTON RINGSET 4TH	1	ALT. PART
	5X8-11630-10-00	PISTON KIT 1ST	1	ALT. PART
	5X8-11630-20-00	PISTON KIT 2ND	1	ALT. PART
	5X8-11630-30-00	PISTON KIT 3RD	1	ALT. PART
	5X8-11630-40-00	PISTON KIT 4TH	1	ALT. PART

CONTINUED ON NEXT FRAME ►

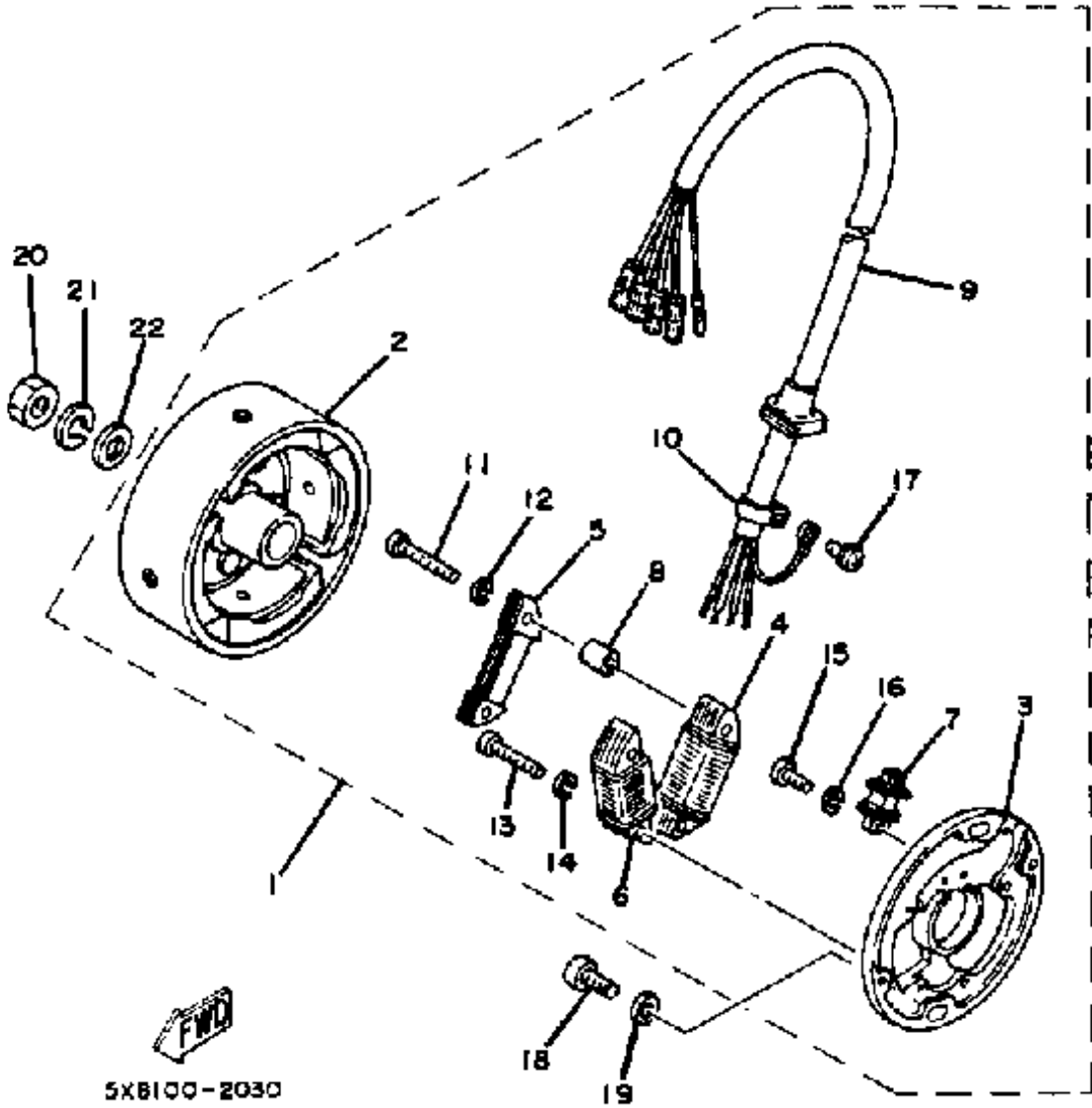
CRANKSHAFT-PISTON



5X8100-2020

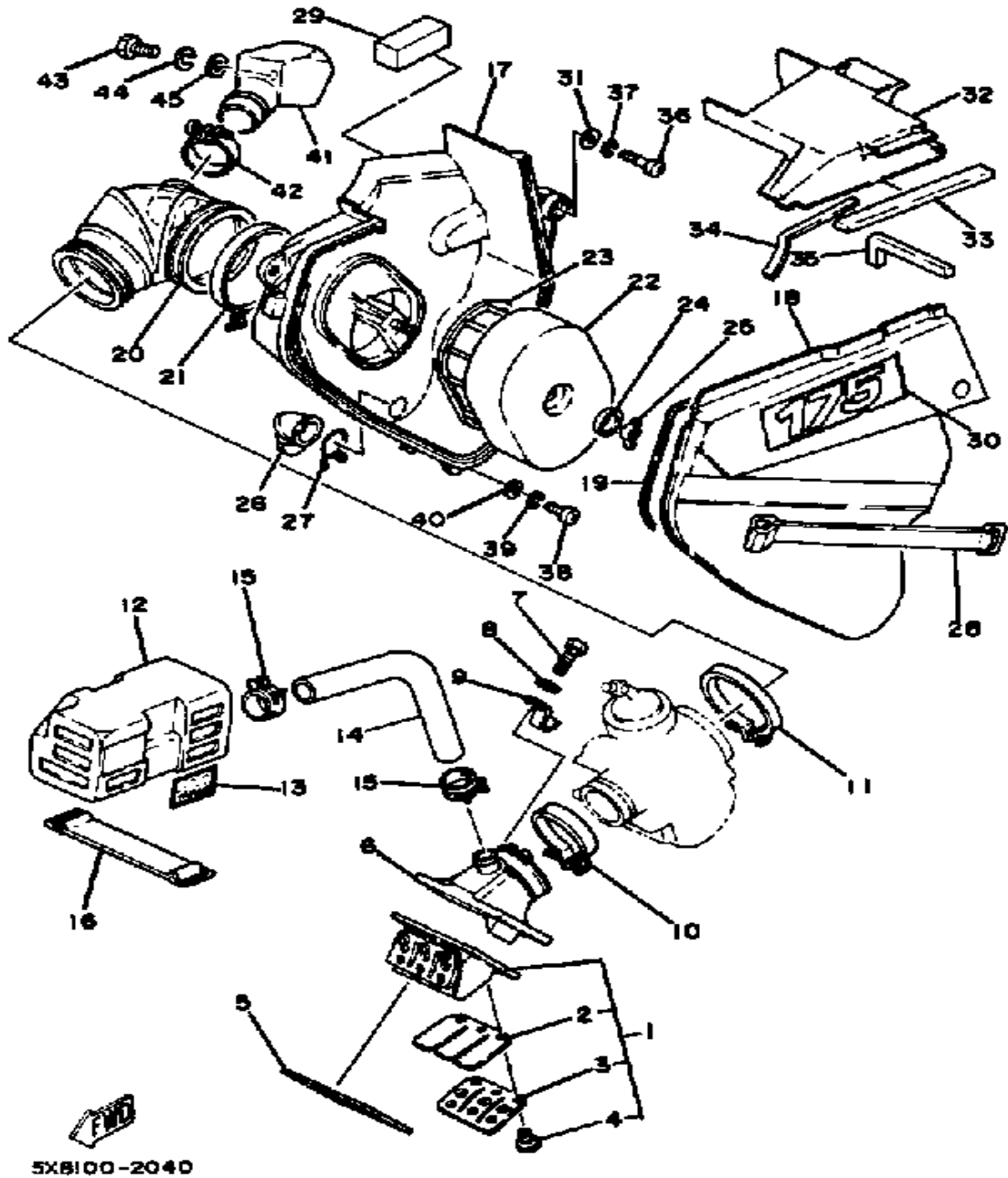
Ref. No.	Part Number	Description	Qty	Remarks
20	5X8-11635-00-00	PISTON 1 O/S 0.5	1	ALT. PART
	5X8-11636-00-00	PISTON 2 O/S 0.0	1	ALT. PART
	5X8-11637-00-00	PISTON 3 O/S 0.5	1	ALT. PART
	5X8-11638-00-00	PISTON 4 O/S 1.0	1	ALT. PART
	90280-03017-00	KEY, WOODRUFF	1	

C - D - I - MAGNETO



Ref. No.	Part Number	Description	Qty	Remarks
1	3R6-85500-20-00	CDI MAGNETO ASSEMBLY ...	1	
2	3R6-85550-20-00	ROTOR ASSEMBLY	1	
3	3R5-85509-20-00	BASE, MAGNETO	1	
4	3R5-85511-20-00	COIL SOURCE 1	1	
5	3R5-85512-20-00	COIL SOURCE 2	1	
6	1W2-85513-20-00	COIL, LIGHTING 1	1	
7	3R6-85580-20-00	COIL, PULSER	1	
8	1W2-85516-20-00	SPACER	2	
9	(3R6-85515-20-00)	LEAD WIRE ASSEMBLY	1	
10	104-81328-20-00	CLAMP	1	
11	98501-04035-00	SCREW, PAN HEAD	2	
12	92901-04100-00	WASHER, SPRING	2	
13	98511-04030-00	SCREW, PAN HEAD	2	
14	92901-04100-00	WASHER, SPRING	2	
15	98503-04014-00	SCREW, PAN HEAD	1	
16	92901-04100-00	WASHER, SPRING	1	
17	97601-04106-00	SCREW, PN/HD.W/WSHR	1	
18	98503-06014-00	SCREW, PAN HEAD (92502-06016)	2	
19	92901-06600-00	WASHER	2	
20	90170-12347-00	NUT, HEXAGON	1	
21	92901-12100-00	WASHER, SPRING	1	
22	90201-12593-00	WASHER, PLATE	1	

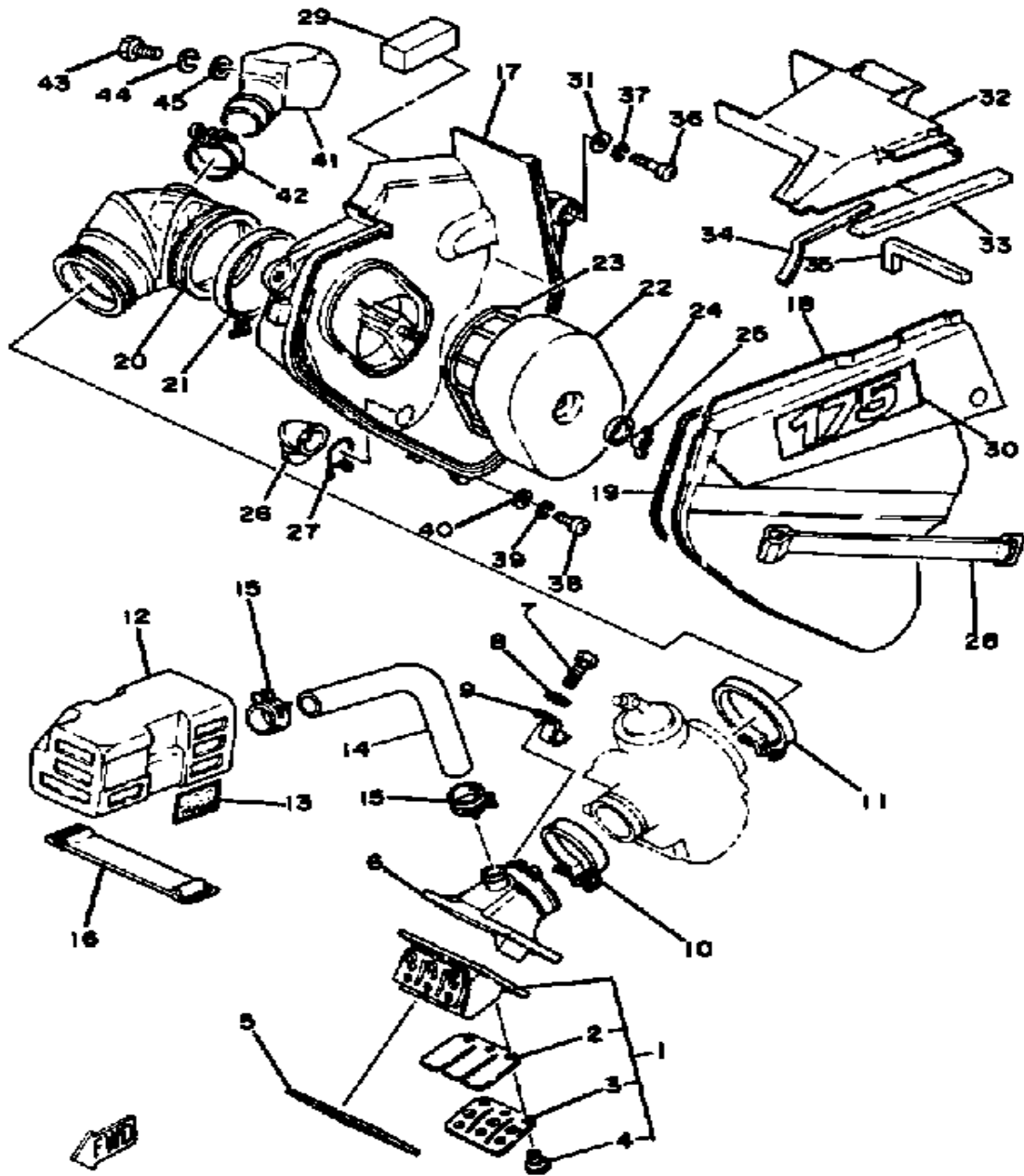
AIR FILTER



Ref. No.	Part Number	Description	Qty	Remarks
1	43G-13610-00-00	REED VALVE ASSEMBLY	1	
2	3R3-13613-00-00	REED, VALVE	2	
3	43G-13616-00-00	STOPPER, REED VALVE	2	
4	98580-03008-00	SCREW, PAN HEAD	6	
5	3R3-13621-00-00	GASKET, VALVE SEAT	1	
6	5X8-13565-00-00	JOINT, CARBURETOR	1	
7	97011-06025-00	BOLT (97001-06025)	4	
8	92901-06600-00	WASHER	4	
9	90462-05005-00	CLAMP	1	
10	90460-49058-00	CLAMP, HOSE	1	
11	90460-64065-00	CLAMP, HOSE	1	
12	5X8-13581-00-00	CHAMBER, AIR	1	
13	4V3-1441K-00-00	EMBLEM	1	
14	90445-21562-00	HOSE	1	
15	90467-20050-00	CLIP, SCISSOR	2	
16	1E6-82131-00-00	BAND, BATTERY	1	
17	5X3-14411-00-00	CASE, AIR CLEANER 1	1	
18	5X8-14412-00-00	CAP, CLEANER CASE 1	1	
19	50M-14462-01-00	SEAL	1	
20	5X8-14453-10-00	JOINT, AIR CLNR 1	1	
21	90460-75020-00	CLAMP, HOSE	1	
22	5X4-W1442-00-00	ELEMENT, AIR CLNR	1	
23	5X4-14458-00-00	GUIDE, ELEMENT	1	
24	2X4-14468-00-00	PLATE, ELEMENT FTNG	1	
25	90175-06008-00	NUT, WING	1	
26	1W1-14457-01-00	SEAL	1	
27	90467-20030-00	CLIP	1	
28	5X3-14455-00-00	BAND	1	
29	5X4-14462-00-00	DAMPER, HEADLIGHT (2XJ-84345-00-00)	1	

CONTINUED ON NEXT FRAME ➤

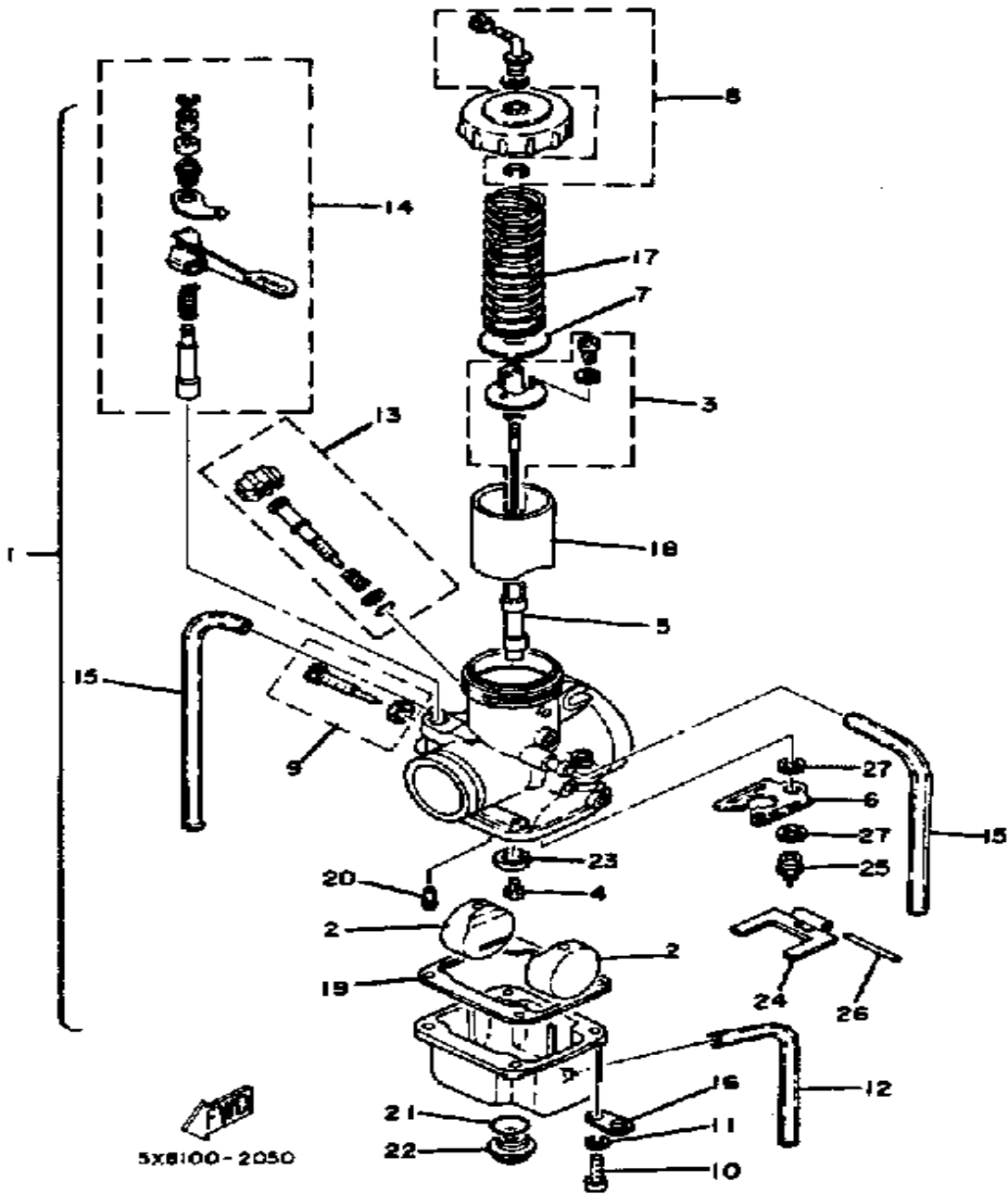
AIR FILTER



Ref. No.	Part Number	Description	Qty	Remarks
30	5X8-21737-00-00	EMBLEM	1	
31	90201-06M08-00	WASHER, PLATE	1	
32	5X8-14437-00-00	DUCT	1	
33	(5X8-14452-00-00)	SEAL	1	
34	(5X8-14457-00-00)	SEAL	1	
35	(5X8-14462-00-00)	SEAL	1	
36	98511-06025-00	SCREW PAN HEAD (92501-06025)	1	
37	92995-06100-00	WASHER, SPRING	1	
38	98503-06014-00	SCREW, PAN HEAD (92502-06016)	2	
39	92995-06100-00	WASHER, SPRING	2	
40	90201-06M08-00	WASHER, PLATE	2	
41	5X8-13591-00-00	CHAMBER, AIR 2	1	
42	90460-36174-00	CLAMP, HOSE	1	
43	97013-06012-00	BOLT	1	
44	92995-06100-00	WASHER, SPRING	1	
45	92901-06600-00	WASHER	1	

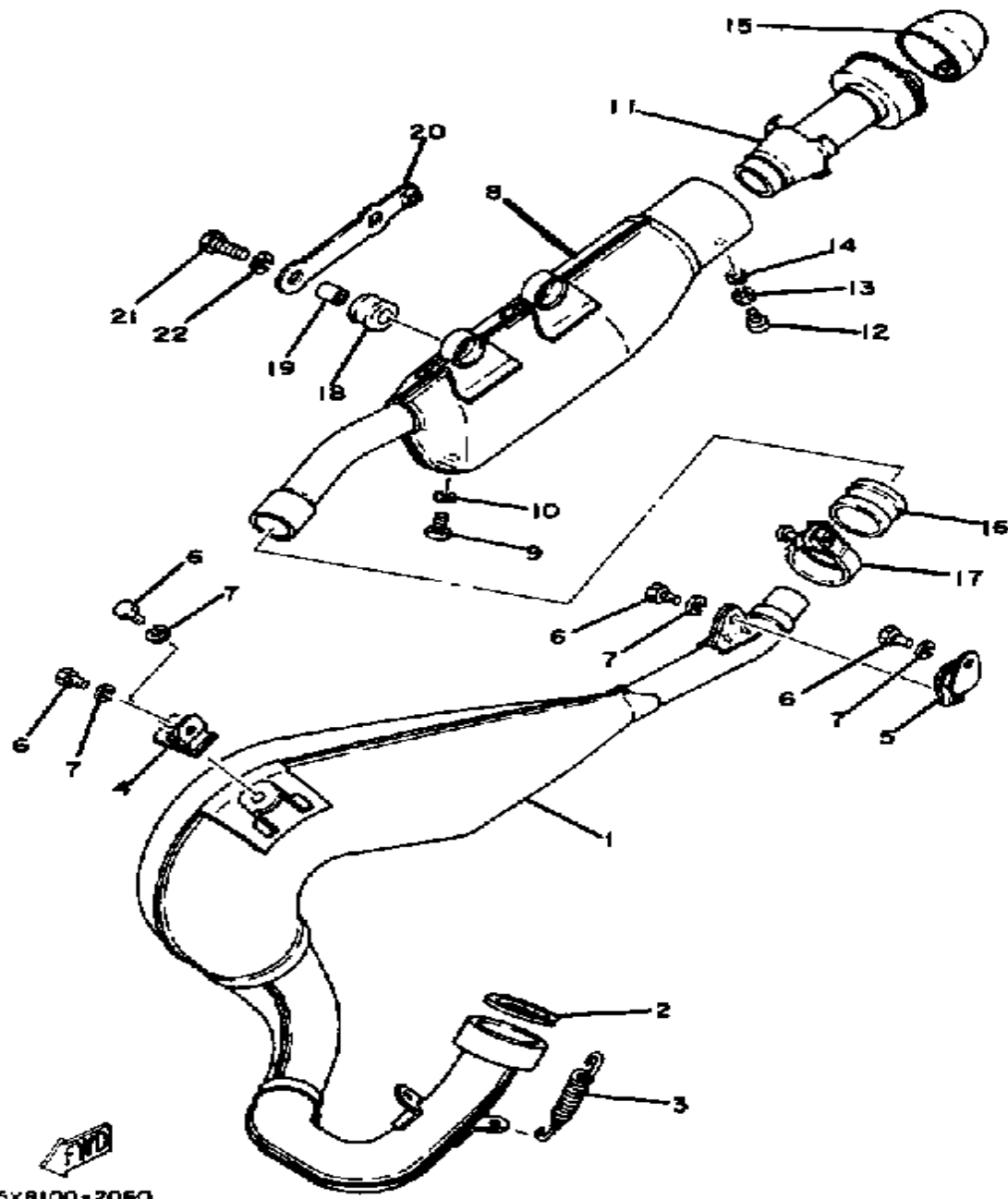
5X8100-2040

CARBURETOR



Ref. No.	Part Number	Description	Qty	Remarks
1	(5X8-14101-10-00)	CARBURETOR ASSEMBLY 1	1	
2	310-14185-00-00	. FLOAT	2	
3	239-W1418-00-00	. NEEDLE SET (6F21)	1	
4	137-14143-62-A1	. JET, MAIN (#310)	1	U.R.
	137-14143-64-00	. JET, MAIN (#320)	1	U.R. STD
	137-14143-66-A1	. JET MAIN, (# 330)	1	U.R.
5	239-14141-44-00	. NOZZLE, MAIN P 4	1	
6	483-14146-00-00	. PLATE	1	
7	509-14136-00-00	. SEAT, SPRING	1	
8	3R3-W1415-00-00	. ADJUSTER SET	1	
9	204-W1411-00-00	. THROTTLE SCREW SET	1	
10	98580-05016-00	. SCREW, PAN HEAD	4	
11	92990-05100-00	. WASHER, SPRING	4	
12	2J2-14196-00-00	. PIPE	1	
13	2X3-W1412-00-00	. AIR SCREW SET	1	
14	1W1-W1414-00-00	. STARTER PLNGR SET	1	
15	310-14197-00-00	. PIPE, AIRVENT	2	
16	313-14146-00-00	. PLATE	2	
17	363-14131-00-00	. SPRING, THROTTLE VALVE	1	
18	5X8-14112-20-00	. VALVE, THROTTLE 1	1	
19	483-14184-00-00	. GASKET, FLOAT CHMBR	1	
20	193-14142-60-00	. JET, PILOT #60 (60)	1	
21	558-14147-00-00	. O-RING	1	
22	500-14115-00-00	. PLUG, SCREW	1	
23	(1G8-14153-00-00)	WASHER, MAIN JET	1	
24	310-14187-00-00	. ARM, FLOAT	1	
25	24X-14107-33-00	. NEEDLE VALVE SET (#3.3)	1	
26	127-14186-00-00	. PIN, FLOAT	1	
27	239-14195-00-00	. WASHER, NEEDLE VALVE	2	

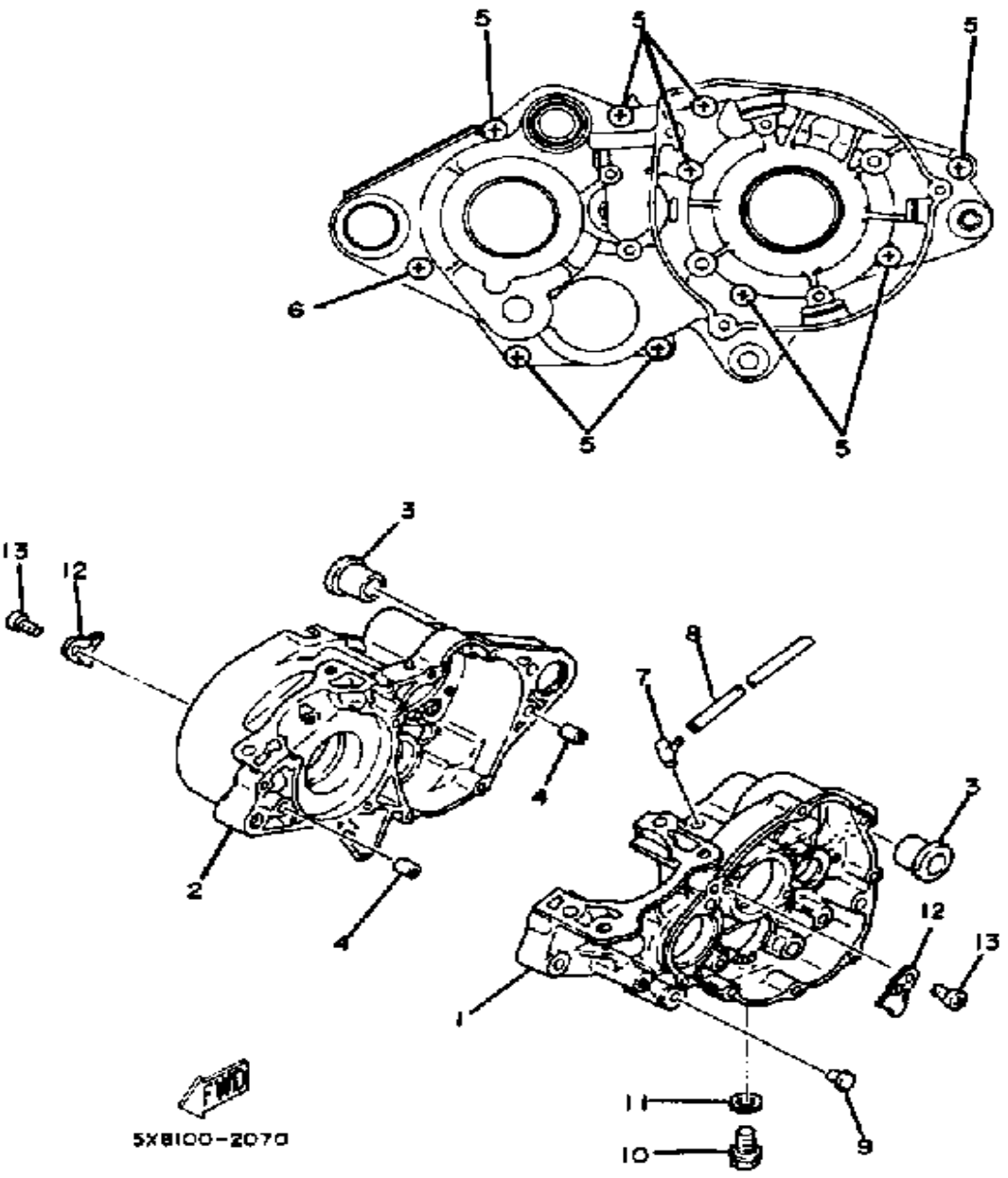
EXHAUST



Ref. No.	Part Number	Description	Qty	Remarks
1	5X8-14610-00-00	EXHAUST PIPE ASSEMBLY L .	1	
2	3R6-14613-01-00	GASKET, EXST PIPE	1	
3	90507-20030-00	SPRING, TENSION	2	
4	1M1-14772-00-00	STAY, MUFFLER 2	1	
5	565-14771-00-00	STAY, MUFFLER 1	1	
6	97013-06012-00	BOLT	4	
7	92995-06100-00	WASHER, SPRING	4	
8	(5X8-14753-01-00)	SILENCER, EXHAUST	1	
9	98580-06008-00	SCREW, PAN HEAD	1	
10	90202-05187-00	WASHER, PLATE	1	
11	5X8-14752-01-00	PIPE, OUTLET	1	
12	98580-06012-00	SCREW, PAN HEAD	1	
13	92995-06100-00	WASHER, SPRING	1	
14	92901-06600-00	WASHER	1	
15	1W2-14787-00-00	CAP, SILENCER	1	
16	5X8-14714-00-00	GASKET, MUFFLER	1	
17	90460-39202-00	CLAMP, HOSE	1	
18	90480-22269-00	GROMMET	2	
19	90387-081A3-00	COLLAR	2	
20	5X8-14771-00-00	STAY, MUFFLER 1	1	
21	97313-08030-00	BOLT, HEXAGON	2	
22	92990-08100-00	WASHER	2	

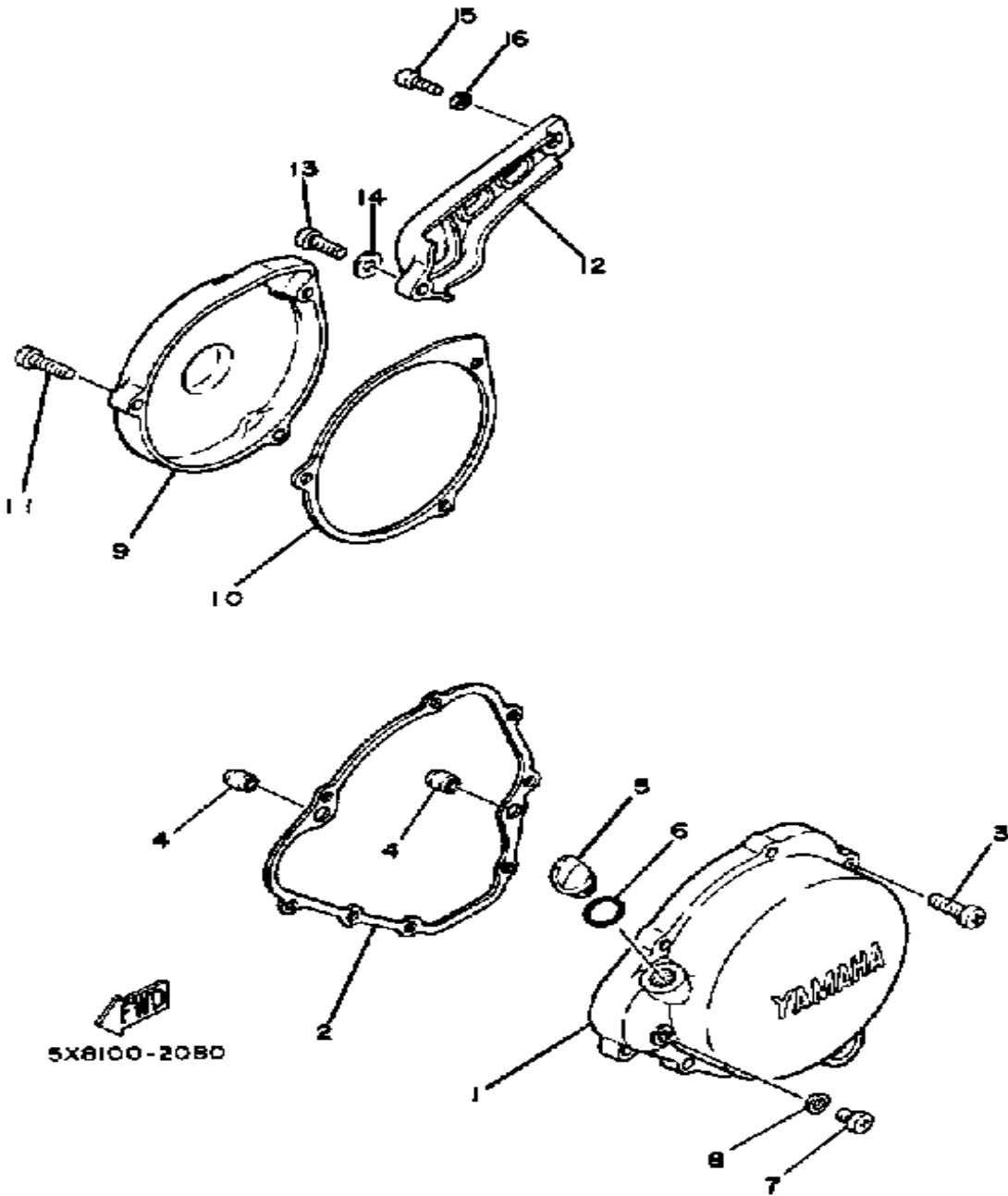
5X8100-2060

CRANKCASE



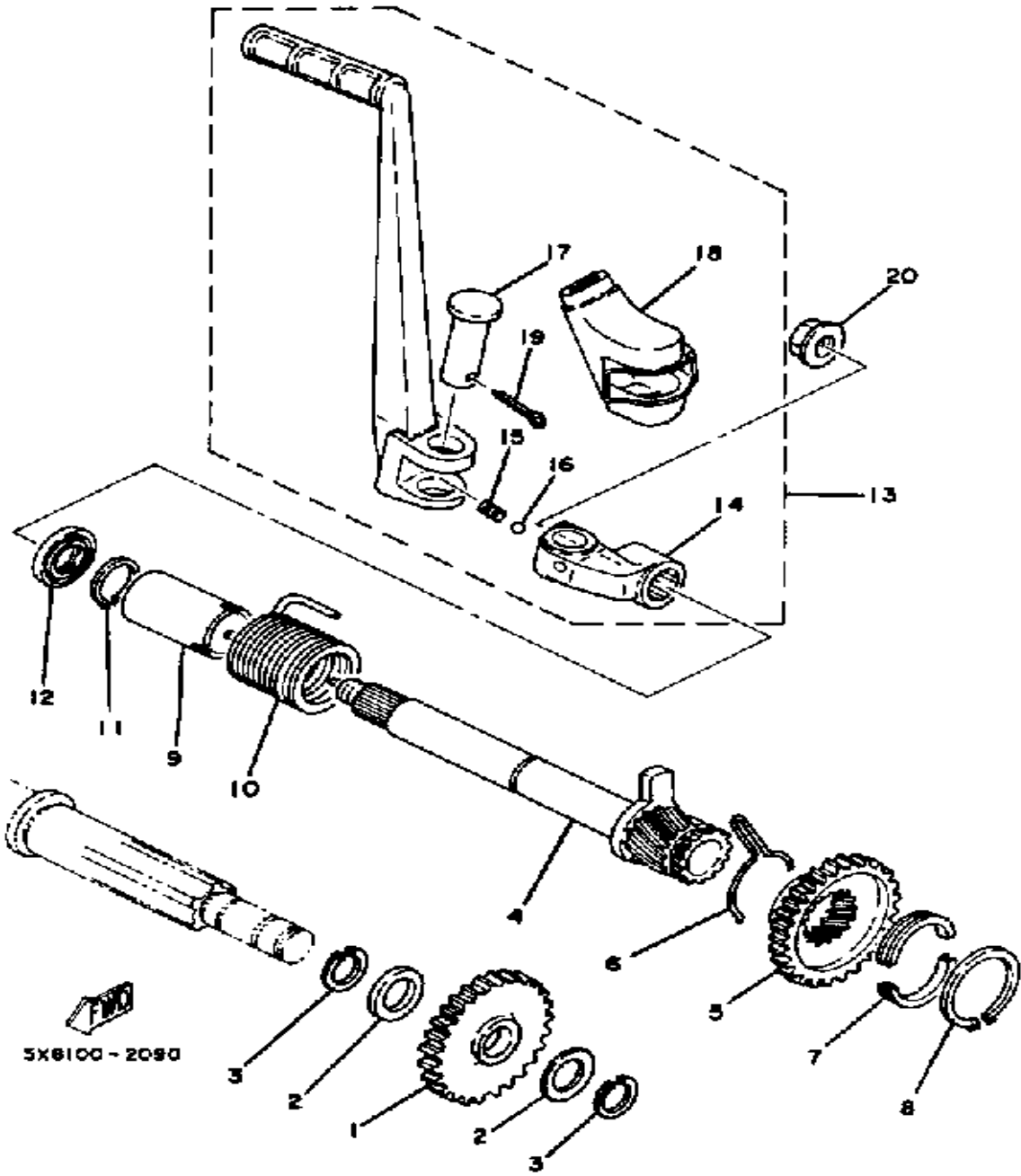
Ref. No.	Part Number	Description	Qty	Remarks
1	5X3-15111-00-00	CRANKCASE 1	1	
2	4V2-15121-00-00	CRANKCASE 2	1	
3	90387-16781-00	COLLAR	2	
4	99530-10014-00	PIN, DOWEL	2	
5	91316-06035-00	BOLT	9	
6	91316-06050-00	BOLT, SOCKET HEAD	1	
7	2N4-15371-00-00	BREATHER	1	
8	90445-07340-00	HOSE	1	
9	90338-07011-00	PLUG, SPEC'L SHAPE	1	
10	90340-12097-00	PLUG, STRAIGHT SCREW	1	
11	90430-12207-00	GASKET	1	
12	3R3-15128-01-00	HOLDER	2	
13	92501-08010-00	SCREW, PAN HEAD	2	

CRANKCASE COVER



Ref. No.	Part Number	Description	Qty	Remarks
1	3R3-15411-01-00	COVER, CRANKCASE L	1	
2	3R3-15451-01-00	GASKET, CRCS COVER	1	
3	98506-06025-00	SCREW, PAN HEAD	8	
4	99530-10014-00	PIN, DOWEL	2	
5	1G8-15362-00-00	PLUG, OIL LEVEL	1	
6	93210-14104-00	O-RING	1	
7	98506-06008-00	SCREW, PAN HEAD (92506-06008-00)	1	
8	90430-06016-00	GASKET	1	
9	3R6-15421-00-00	COVER, CRANKCASE R	1	
10	3R6-15455-00-00	GASKET 1 (3R3-15455-00)	1	
11	98506-06025-00	SCREW, PAN HEAD	3	
12	55Y-15431-00-00	COVER, CRANKCASE 3	1	
13	98503-06014-00	SCREW, PAN HEAD (92502-06016)	1	
14	90201-06067-00	WASHER, PLATE	1	
15	98580-06020-00	SCREW	1	
16	92990-06200-00	WASHER	1	

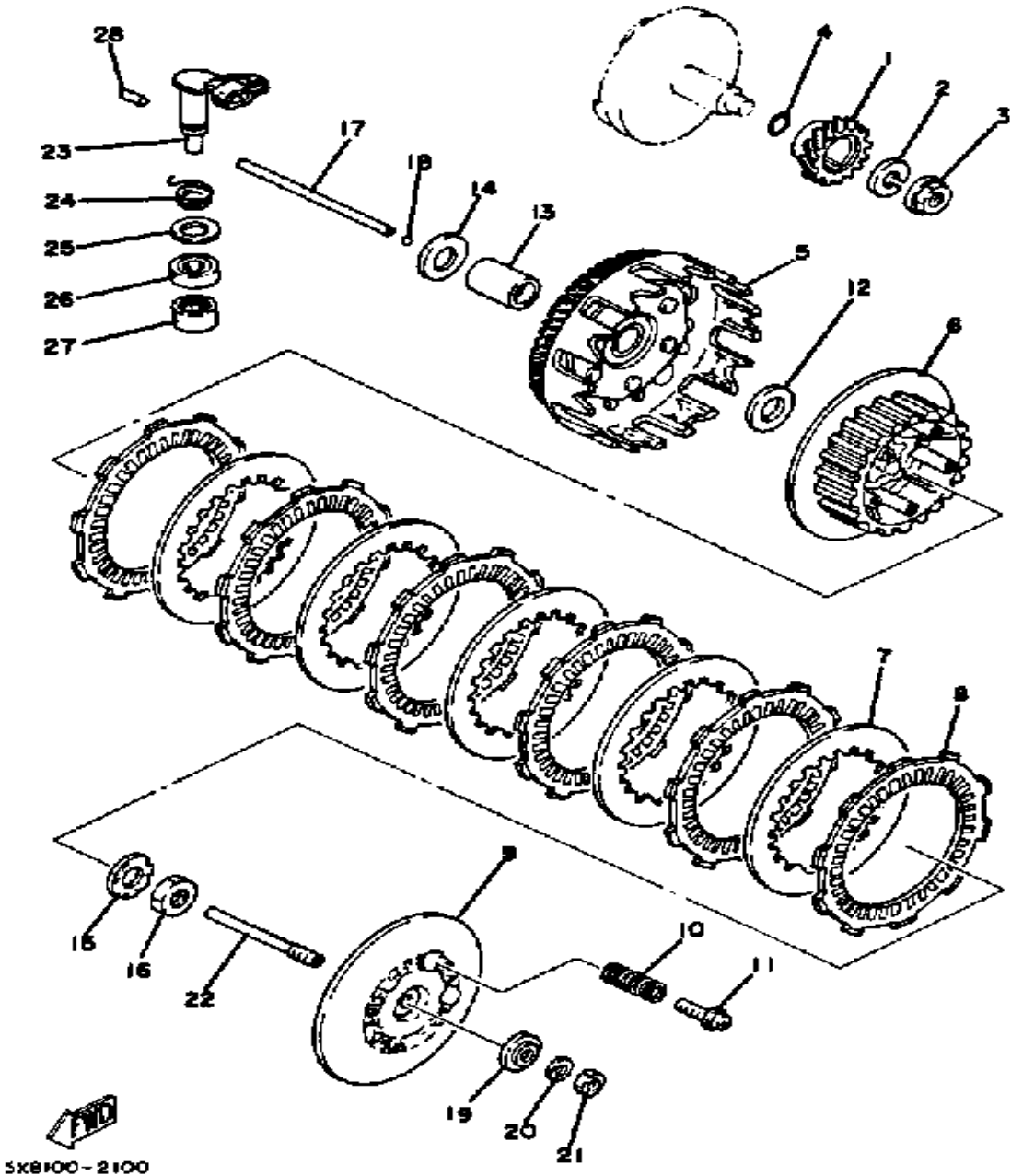
STARTER



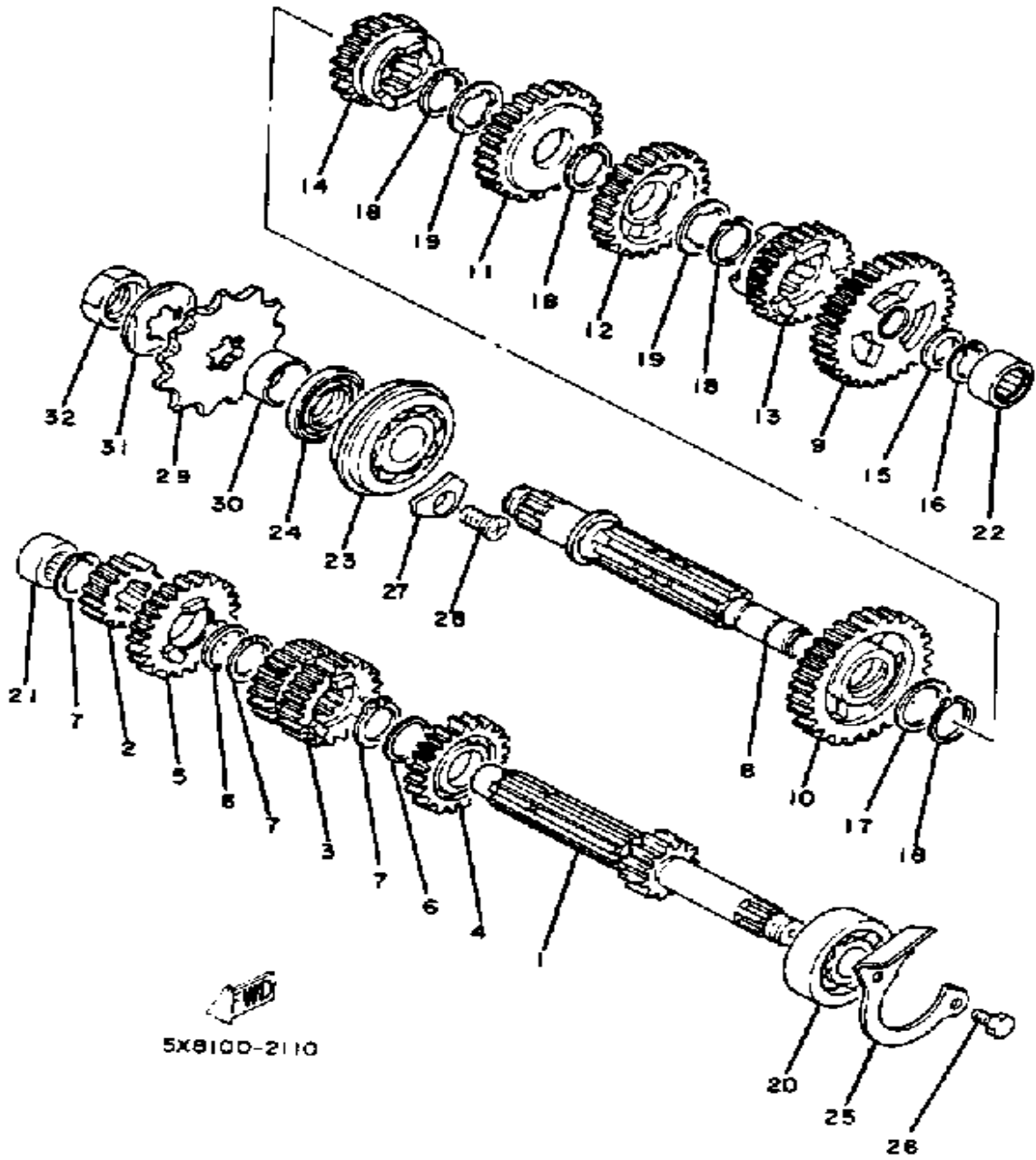
Ref. No.	Part Number	Description	Qty	Remarks
1	3R3-15651-01-00	GEAR, KICK IDLE	1	
2	137-17417-00-05	SHIM 1 (0.5T)	2	
3	93440-15012-00	CIRCLIP	2	
4	3R3-15660-00-00	KICK AXLE ASSEMBLY	1	
5	3R3-15641-00-00	GEAR, KICK	1	
6	90468-26048-00	CLIP	1	
7	248-15654-00-00	HOLDER, KICK GEAR	2	
8	99009-30400-00	CIRCLIP	1	
9	3R3-15666-00-00	SPACER	1	
10	90508-26427-00	SPRING, TORSION	1	
11	93410-17037-00	CIRCLIP	1	
12	93101-17062-00	OIL SEAL	1	
13	43G-15620-00-00	KICK CRANK ASSEMBLY	1	
14	(5X3-15621-00-00)	BOSS, KICK CRANK	1	
15	90501-12081-00	. SPRING, COMPRESSION	1	
16	93507-32031-00	. BALL	1	
17	91702-12040-00	. PIN, CLEVIS	1	
18	3R3-15618-01-00	. COVER, KICK LEVER	1	
19	91401-40020-00	. PIN, COTTER	1	
20	95701-10500-00	NUT, FLANGE (95702-10500)	1	

CLUTCH

Ref. No.	Part Number	Description	Qty	Remarks
1	3R6-16111-00-00	GEAR, PRI DRIVE	1	
2	90204-12007-00	WASHER, SPRING	1	
3	90179-12335-00	NUT	1	
4	93210-20027-00	O-RING	1	
5	3R6-16150-00-00	PRI DRVN GEARCOMP. (52T)	1	
6	1G8-16371-00-00	BOSS, CLUTCH	1	
7	137-16325-70-00	PLATE, CLUTCH 2	5	
8	537-16321-00-00	PLATE, FRICTION	6	
9	1W1-16351-00-00	PLATE, PRESSURE 1	1	
10	90501-20361-00	SPRING, COMPRESSION	5	
11	90159-05011-00	SCREW, WITH WASHER	5	
12	90201-174E1-00	WASHER, PLATE	1	
13	90560-17190-00	SPACER	1	
14	90201-174E1-00	WASHER, PLATE	1	
15	90215-14204-00	WASHER, LOCK	1	
16	90170-14171-00	NUT	1	
17	2X3-16357-00-00	ROD, PUSH 2	1	
18	93503-16010-00	BALL	1	
19	30X-16358-00-00	PLATE, PUSH	1	
20	92990-06200-00	WASHER	1	
21	95380-06600-00	NUT	1	
22	1W1-16356-02-00	ROD, PUSH 1	1	
23	3R3-16380-02-00	PUSH LEVER ASSEMBLY	1	
24	90508-14426-00	SPRING, TORSION	1	
25	90201-14217-00	WASHER, PLATE	1	
26	93104-14059-00	OIL SEAL, SO-TYPE	1	
27	93315-21429-00	BEARING	1	
28	93604-16092-00	PIN, DOWEL	1	



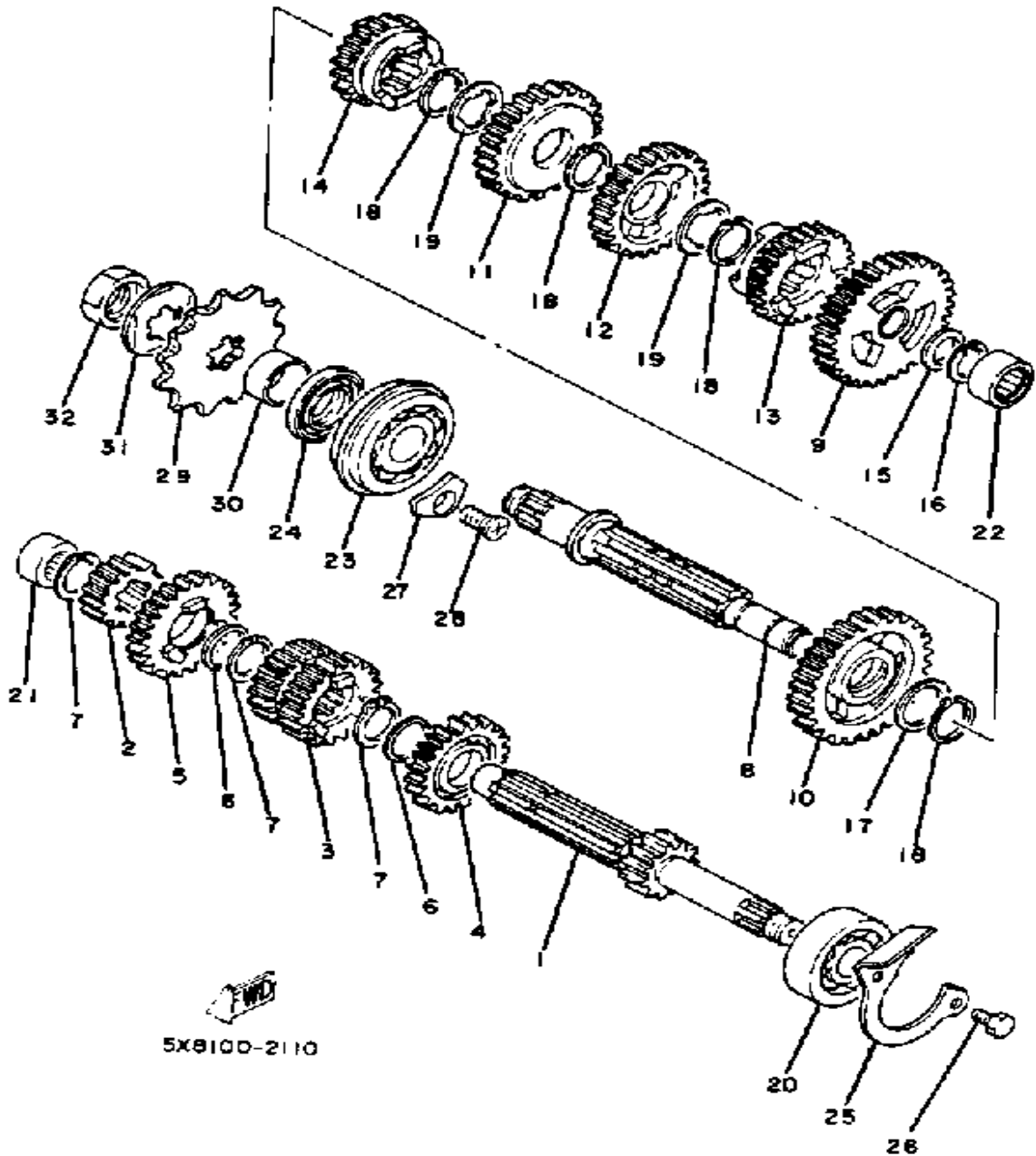
TRANSMISSION



Ref. No.	Part Number	Description	Qty	Remarks
1	5X8-17411-00-00	AXLE, MAIN	1	
2	5X4-17121-02-00	GEAR, 2ND PINION	1	
3	3R3-17131-01-00	GEAR, 3RD PINION (16T, 20T)	1	
4	3R3-17151-02-00	GEAR, 5TH PINION (19T)	1	
5	5X8-17161-00-00	GEAR, 6TH PINION	1	
6	90201-20266-00	WASHER, PLATE (1.0T)	2	
7	93410-20038-00	CIRCLIP	3	
8	3R3-17421-00-00	AXLE, DRIVE	1	
9	5X8-17211-00-00	GEAR, 1ST WHEEL	1	
10	3R3-17221-01-00	GEAR, 2ND WHEEL (26T)	1	
11	3R3-17231-01-00	GEAR, 3RD WHEEL (24T)	1	
12	3R3-17241-01-00	GEAR, 4TH WHEEL (25T)	1	
13	3R3-17251-02-00	GEAR, 5TH WHEEL (21T)	1	
14	5X8-17261-00-00	GEAR, 6TH WHEEL	1	
15	90201-15701-00	WASHER, PLATE (1.0T)	1	
16	93440-15012-00	CIRCLIP	1	
17	90201-22555-00	WASHER, PLATE	1	
18	93410-22039-00	CIRCLIP	4	
19	90209-18135-00	WASHER	2	
20	93306-30309-00	BEARING	1	
21	93311-41530-00	BEARING	1	
22	93311-31567-00	BEARING, CYLINDRICAL	1	
23	93306-30411-00	BEARING (B6304)	1	
24	93102-26042-00	OIL SEAL	1	
25	3R3-17471-00-00	PLATE, COVER	1	
26	97013-06012-00	BOLT	2	
27	2K7-15383-00-00	PLATE, BEARING COVER	1	
28	98603-06012-00	SCREW, OVAL HEAD (92701-06012)	1	

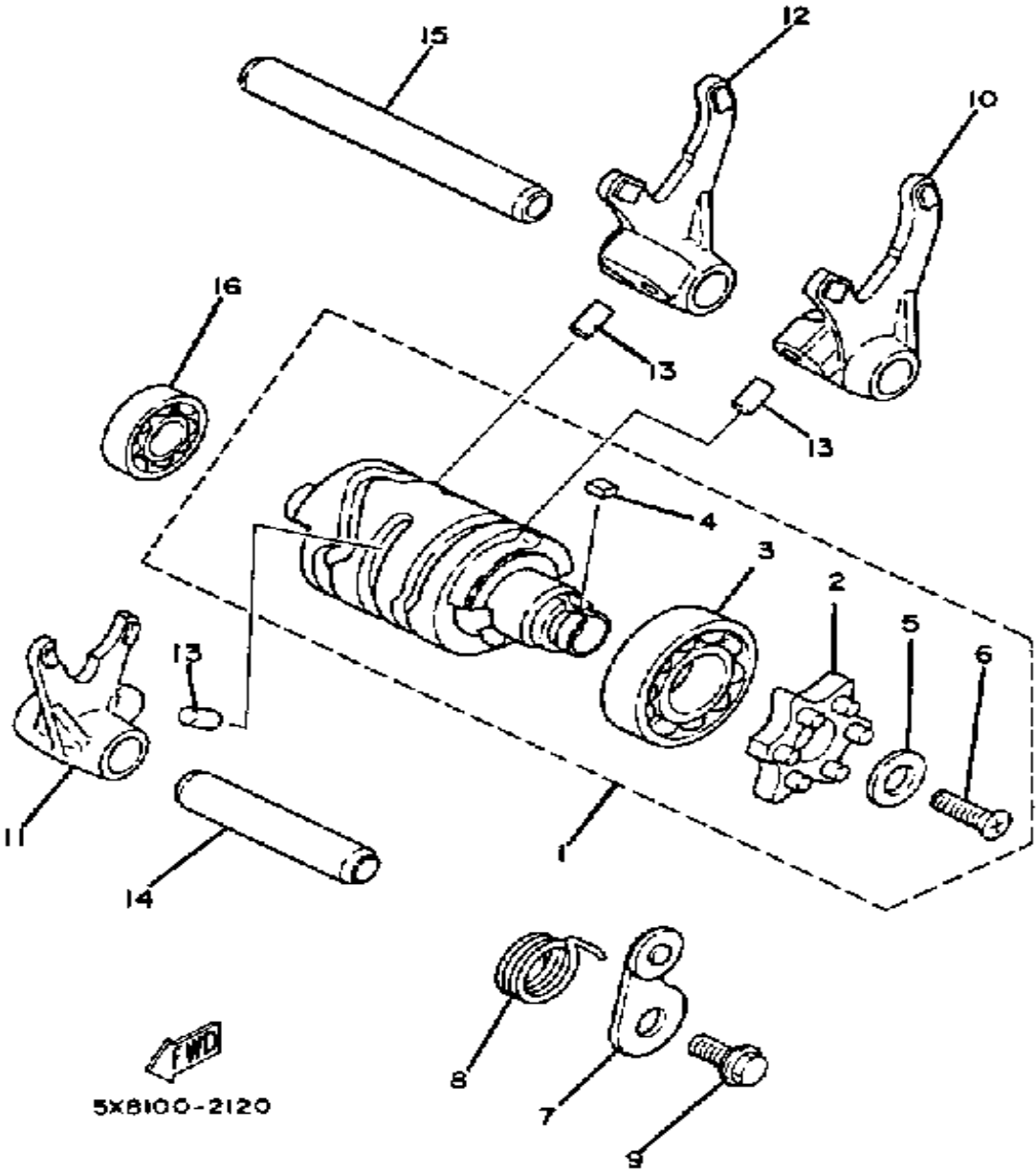
CONTINUED ON NEXT FRAME ►

TRANSMISSION



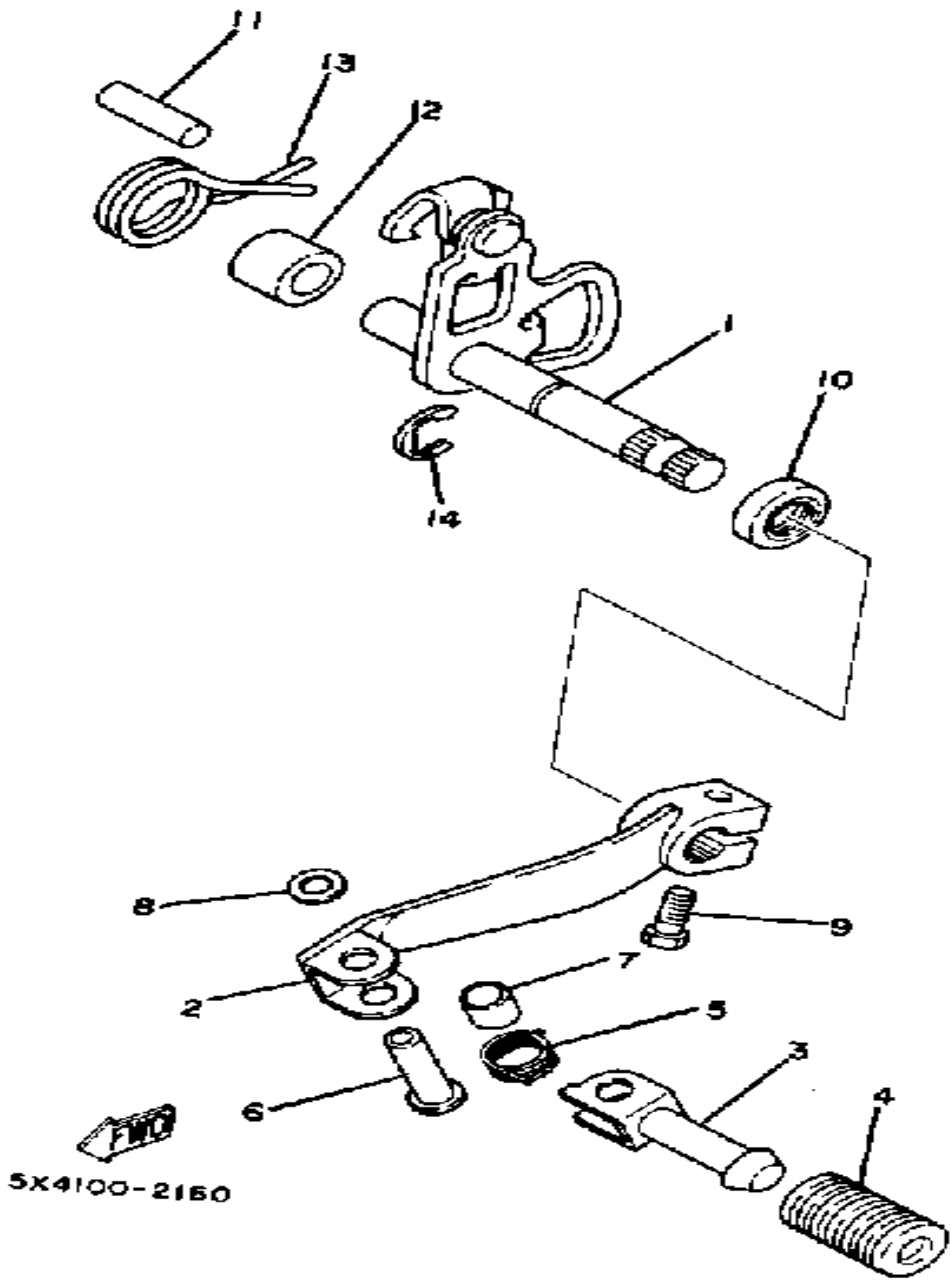
Ref. No.	Part Number	Description	Qty	Remarks
29	93832-11007-00	SPROCKET, DRIVE 11T	1	ALT. PART
	93832-12014-00	SPROCKET, DRIVE	1	STD
	93832-13027-00	SPROCKET, DRIVE	1	ALT. PART
30	90387-202A0-00	COLLAR	1	
31	90215-16127-00	WASHER, LOCK	1	
32	90179-16226-00	NUT	1	

SHIFT CAM-FORK



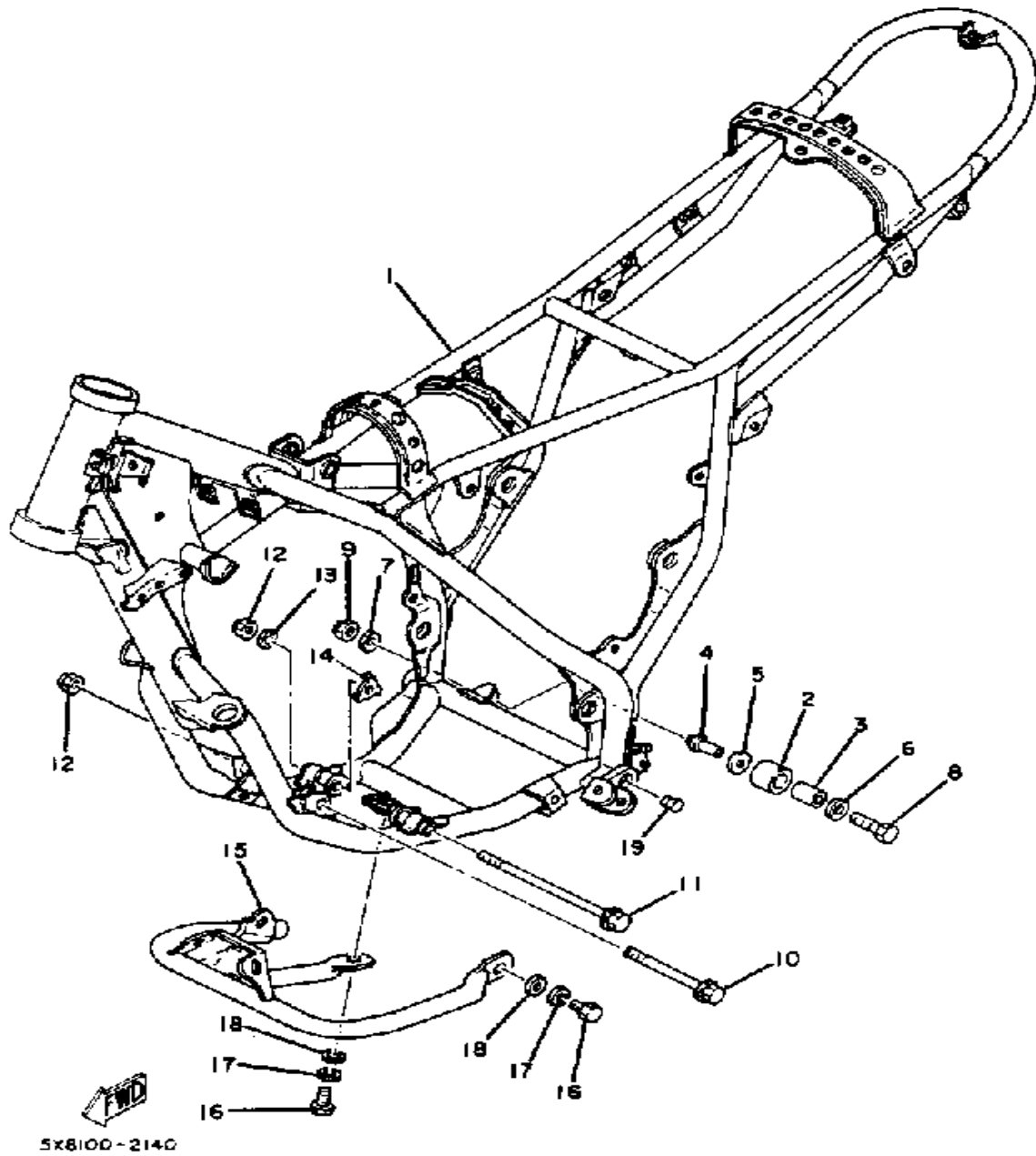
Ref. No.	Part Number	Description	Qty	Remarks
1	24X-18540-00-00	SHIFT CAM ASSEMBLY	1	
2	3R4-18185-00-00	. SEGMENT	1	
3	93306-00406-00	. BEARING (B6004Z)	1	
4	90282-04036-00	. KEY, STRAIGHT	1	
5	3R4-18561-00-00	. PLATE, SIDE 1	1	
6	98701-05016-00	. SCREW, FLAT HEAD	1	
7	3R3-18140-00-00	STOPPER LEVER ASSEMBLY	1	
8	90508-26515-00	SPRING, TORSION	1	
9	50W-21631-00-00	BOLT 1	1	
10	3R3-18511-00-00	FORK, SHIFT 1	1	
11	3R3-18512-00-00	FORK, SHIFT 2	1	
12	3R3-18513-00-00	FORK, SHIFT 3	1	
13	90250-06013-00	PIN, STRAIGHT	3	
14	5X5-18531-01-00	BAR, SHIFT FORK GUIDE 1	1	
15	5X5-18535-01-00	BAR, SHIF FRK GDE 2	1	
16	93306-20110-00	BEARING (B6201)	1	

SHIFT SHAFT



Ref. No.	Part Number	Description	Qty	Remarks
1	24X-18101-01-00	SHIFT SHAFT ASSEMBLY. 1 ..	1	
2	5X4-18110-01-00	SHIFT PEDAL ASSEMBLY (509-18111-01)	1	
3	(5X4-18162-00-00)	PEDAL, SHIFT	1	
4	1W6-18113-00-00	COVER, SHIFT PEDAL	1	
5	90508-16558-00	SPRING, TORSION (90508-14516)	1	
6	90243-08020-00	PIN	1	
7	90446-11180-00	HOSE	1	
8	90201-06042-00	WASHER, PLATE	1	
9	97011-06020-00	BOLT	1	
10	93101-12060-00	OIL SEAL	1	
11	93608-25150-00	PIN, DOWEL	1	
12	90560-11189-00	SPACER	1	
13	90508-29361-00	SPRING, TORSION	1	
14	99006-10600-00	CIRCLIP	1	

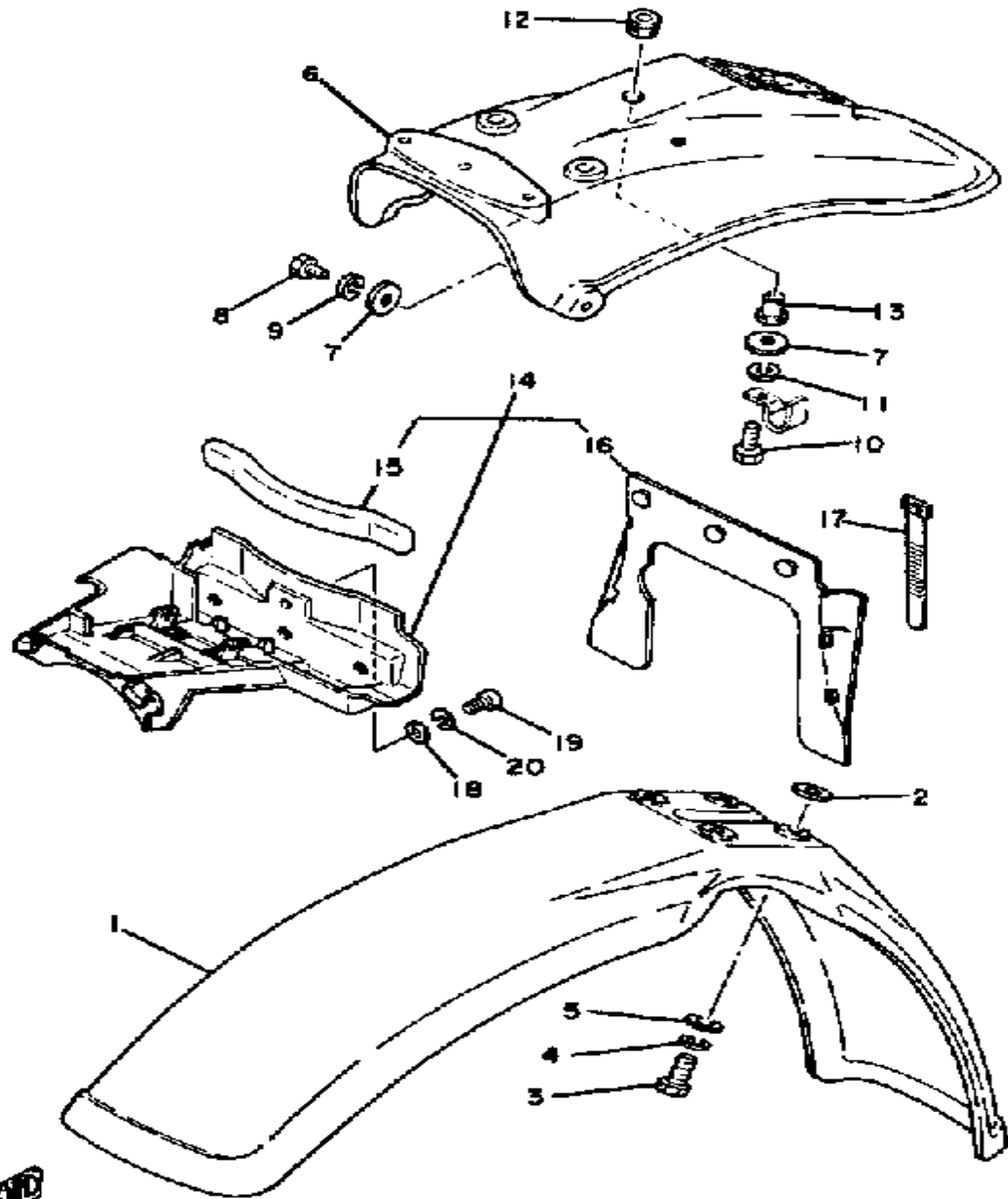
FRAME



Ref. No.	Part Number	Description	Qty	Remarks
1	(5X8-21110-00-33)	FRAME	1	YAMAHA BLACK
2	30X-22178-00-00	TENSIONER	1	
3	4V4-22184-00-00	BUSH	1	
4	3R3-2148A-00-00	SHAFT	1	
5	90201-13202-00	WASHER, PLATE	1	
6	90201-08753-00	WASHER, PLATE	1	
7	90201-08638-00	WASHER, PLATE	1	
8	97313-08050-00	BOLT, HEXAGON (90101-08125)	1	
9	95611-08100-00	NUT, U	1	
10	95811-08100-00	BOLT	1	
11	95811-08165-00	BOLT, FLANGE	1	
12	90185-08089-00	NUT, SELF-LOCKING	2	
13	92990-08200-00	WASHER, PLAIN	1	
14	90214-09019-00	WASHER, CLAW	1	U.N.
15	5X8-2147A-00-00	GUARD, ENGINE 1	1	
16	97313-08018-00	BOLT, HEXAGON (97301-08016)	4	
17	92990-08100-00	WASHER	4	
18	92901-08600-00	WASHER	4	
19	90338-12131-00	PLUG, SPEC'L SHAPE	1	

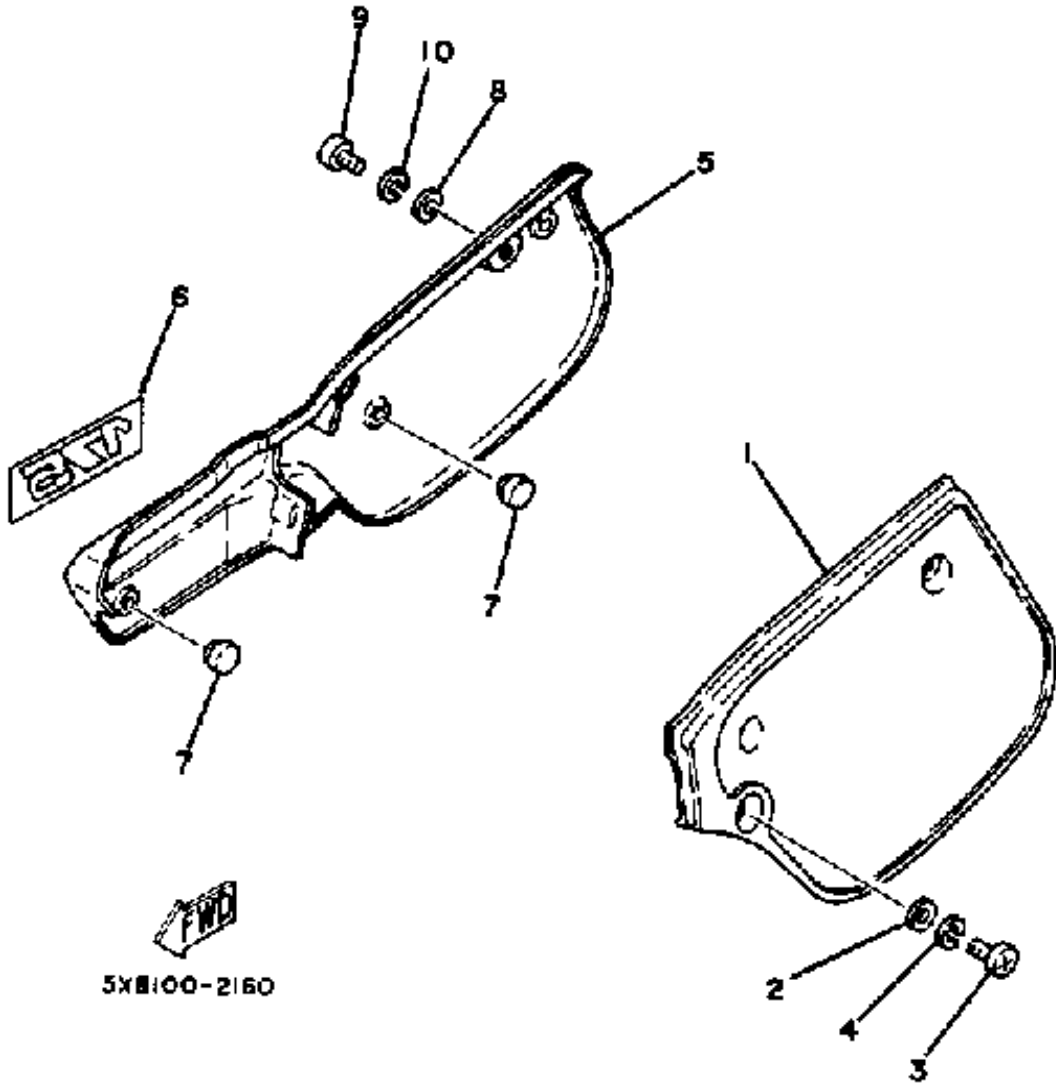
FENDER

Ref. No.	Part Number	Description	Qty	Remarks
1	3R9-21511-11-00	FENDER, FRONT	1	SKY BLUE
2	90201-065F3-00	WASHER, PLATE	4	
3	97023-06020-00	BOLT (3XF)	4	
4	92995-06100-00	WASHER, SPRING	4	
5	90209-06187-00	WASHER	4	
6	3R6-21610-11-00	FENDER, REAR	1	
7	90201-06571-00	WASHER, PLATE	3	
8	97301-06014-00	BOLT, HEXAGON	3	
9	92995-06100-00	WASHER, SPRING	3	
10	97011-06025-00	BOLT (97001-06025)	1	
11	92995-06100-00	WASHER, SPRING	1	
12	90480-14198-00	GROMMET	1	
13	90387-06388-00	COLLAR	1	
14	(5X8-21620-00-00)	GUARD, MUD	1	
15	565-21746-00-00	. DAMPER	1	
16	5X3-21642-00-00	. GUARD, FLAP	1	
17	437-83936-01-00	BAND, SWITCH CORD	4	
18	90201-06571-00	WASHER, PLATE	1	
19	98503-06014-00	SCREW, PAN HEAD (92502-06016)	1	
20	92995-06100-00	WASHER, SPRING	1	



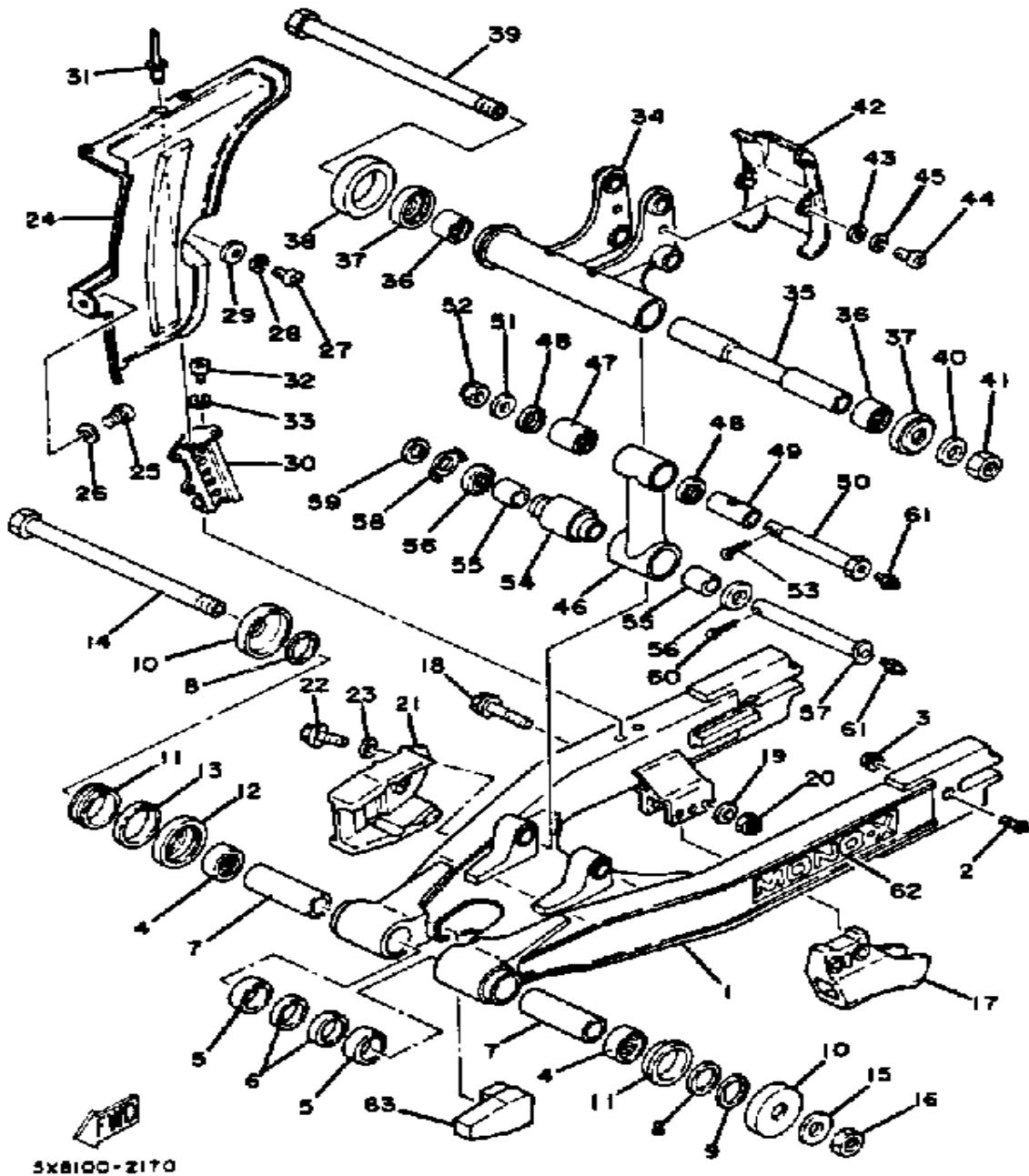
5X8100-2150

SIDE COVER



Ref. No.	Part Number	Description	Qty	Remarks
1	5X8-21711-00-26	COVER, SIDE 1	1	COMP. YELLOW SKY BLUE
2	90201-06571-00	WASHER, PLATE	1	
3	98503-06014-00	SCREW, PAN HEAD (92502-06016)	2	
4	92995-06100-00	WASHER, SPRING	2	
5	5X8-21721-00-26	COVER, SIDE 2	1	COMP. YELLOW SKY BLUE
6	5X8-21737-00-00	EMBLEM	1	
7	22W-24181-00-00	DAMPER, LOCATING 1	3	
8	90201-06571-00	WASHER, PLATE	2	
9	98503-06014-00	SCREW, PAN HEAD (92502-06016)	2	
10	92995-06100-00	WASHER, SPRING	2	

SWING ARM

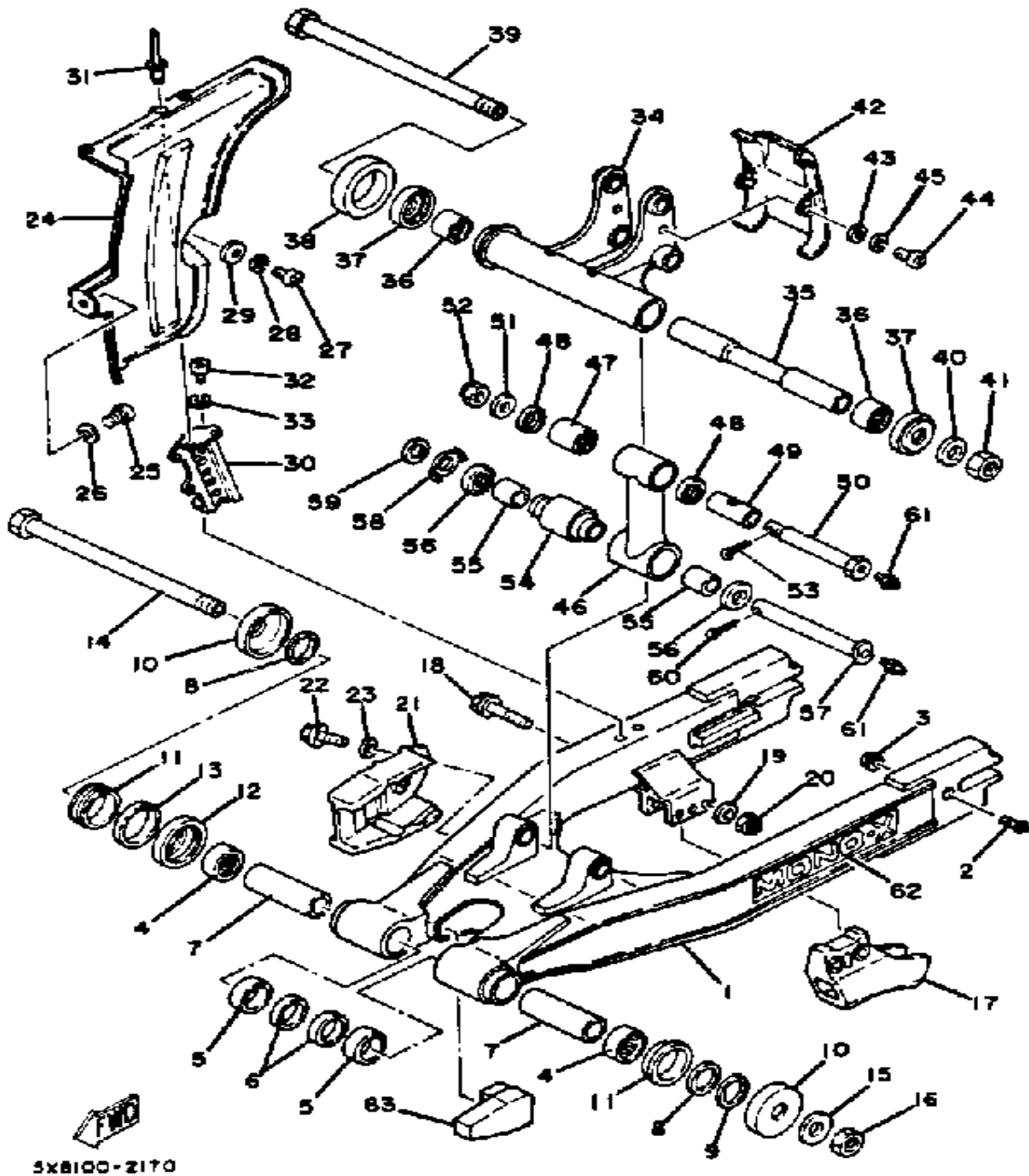


5XB100-2170

Ref. No.	Part Number	Description	Qty	Remarks
1	(5X8-22110-00-35)	REAR ARM	1	SILVER
2	90109-08599-00	BOLT	2	
3	95701-08500-00	NUT, FLANGE	2	
4	93317-22208-00	BEARING, CYLINDER.# 7	2	
5	90386-22097-00	BUSH, SPEC'L NYLON	2	
6	93109-22018-00	OIL SEAL, SDO-TYPE	2	
7	90380-16077-00	BUSH, SOLID	2	
8	90201-22680-00	WASHER, PLATE	2	
9	240-22127-00-00	SHIM	1	U.N.
10	2K6-22128-01-00	COVER, THRUST 1	2	
11	93108-35004-00	OIL SEAL (35-41-8)	2	
12	5X6-22151-10-00	SEAL, GUARD	1	
13	90387-440G3-00	COLLAR	1	
14	5X4-22141-01-00	SHAFT, PIVOT	1	
15	90201-160F6-00	WASHER, PLATE	1	
16	90170-16111-00	NUT, HEXAGON	1	
17	5X4-22199-00-00	SUPPORT, CHAIN	1	
18	95811-08045-00	BOLT, FLANGE (JN5)	2	
19	92901-08600-00	WASHER	2	
20	95611-08100-00	NUT, U	2	
21	5X6-22147-01-00	PROTECTOR, CHAIN	1	
22	95811-06020-00	BOLT, FLANGE	2	
23	90201-06067-00	WASHER, PLATE	2	
24	5X8-W2231-01-00	. CASE, CHAIN	1	
	90387-065J6-00	. COLLAR	1	
	92995-06100-00	. WASHER, SPRING	1	
	98511-06025-00	. SCREW PAN HEAD (92501-06025)	1	
	99999-01413-00	CASE, CHAIN	1	BLACK

CONTINUED ON NEXT FRAME ►

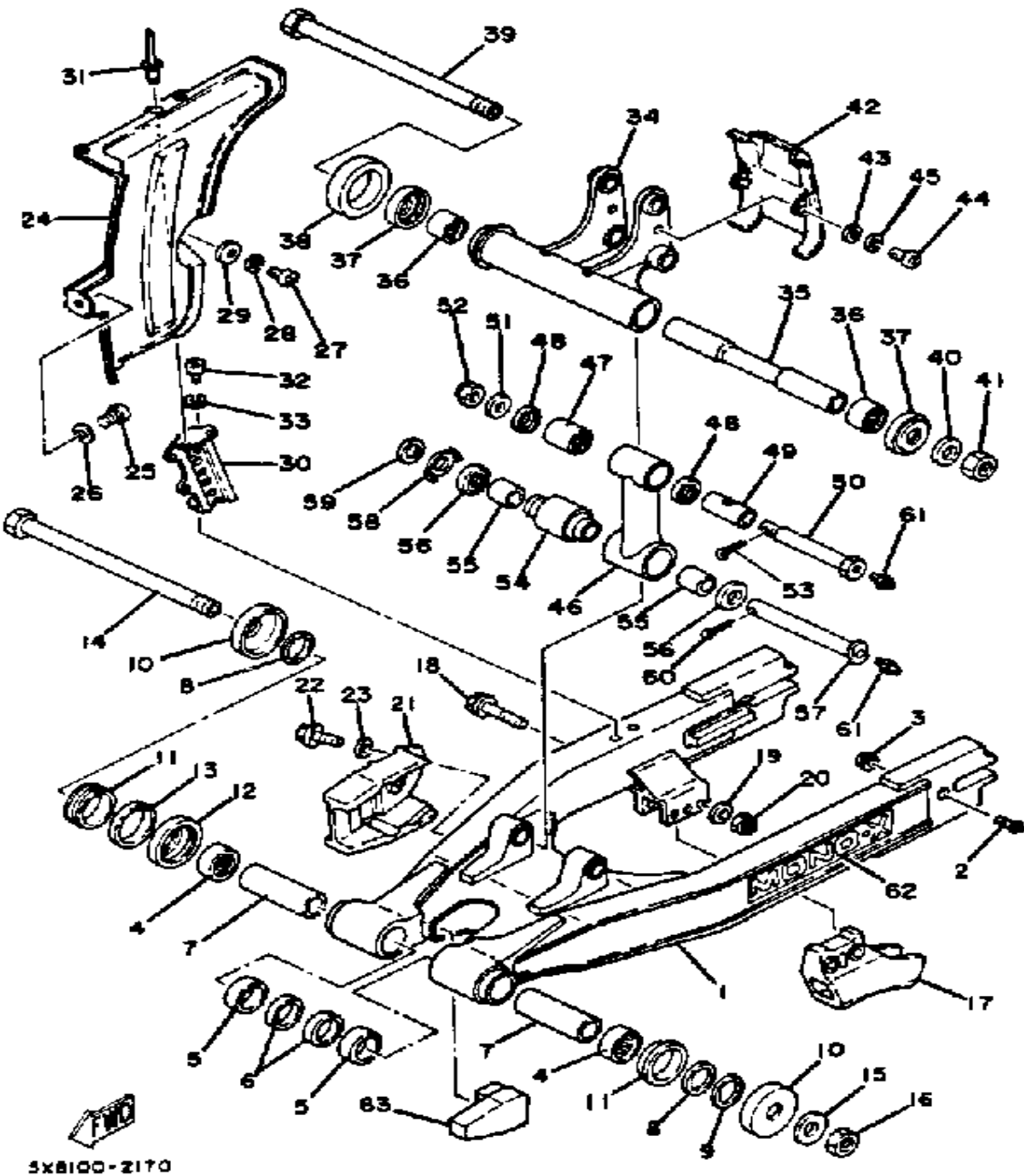
SWING ARM



Ref. No.	Part Number	Description	Qty	Remarks
25	98503-06014-00	SCREW, PAN HEAD (92502-06016)	1	
26	92995-06100-00	WASHER, SPRING	1	
27	98580-06020-00	SCREW	1	
28	92995-06100-00	WASHER, SPRING	1	
29	90201-063J2-00	WASHER, PLATE	2	
30	5X8-22321-00-00	STAY, CHAIN CASE 1	1	
31	90267-40075-00	RIVET, BLIND	2	
32	98580-06012-00	SCREW, PAN HEAD	2	
33	92995-06100-00	WASHER, SPRING	2	
34	5X3-2217A-00-00	ARM, RELAY	1	
35	90387-163F6-00	COLLAR	1	
36	93317-22208-00	BEARING, CYLINDER.# 7	2	
37	322-22128-01-00	COVER, THRUST 1	2	
38	1W1-22151-00-00	SEAL, GUARD	1	
39	5X4-22141-01-00	SHAFT, PIVOT	1	
40	90201-160F6-00	WASHER, PLATE	1	
41	90170-16111-00	NUT, HEXAGON	1	
42	5X3-21652-00-00	PROTECTOR	1	
43	92990-05200-00	WASHER, PLAIN	2	
44	98580-05012-00	SCREW, PAN HEAD	2	
45	92990-05100-00	WASHER, SPRING	2	
46	5X3-2217F-00-00	ROD, CONNECTING 1	1	
47	93315-22046-00	BEARING	1	
48	93109-20029-00	OIL SEAL, SDO-TYPE	2	
49	90380-14095-00	BUSH, SOLID	1	
50	90109-12646-00	BOLT	1	
51	90201-120E6-00	WASHER, PLATE	1	
52	90185-12119-00	NUT, SELF-LOCKING	1	

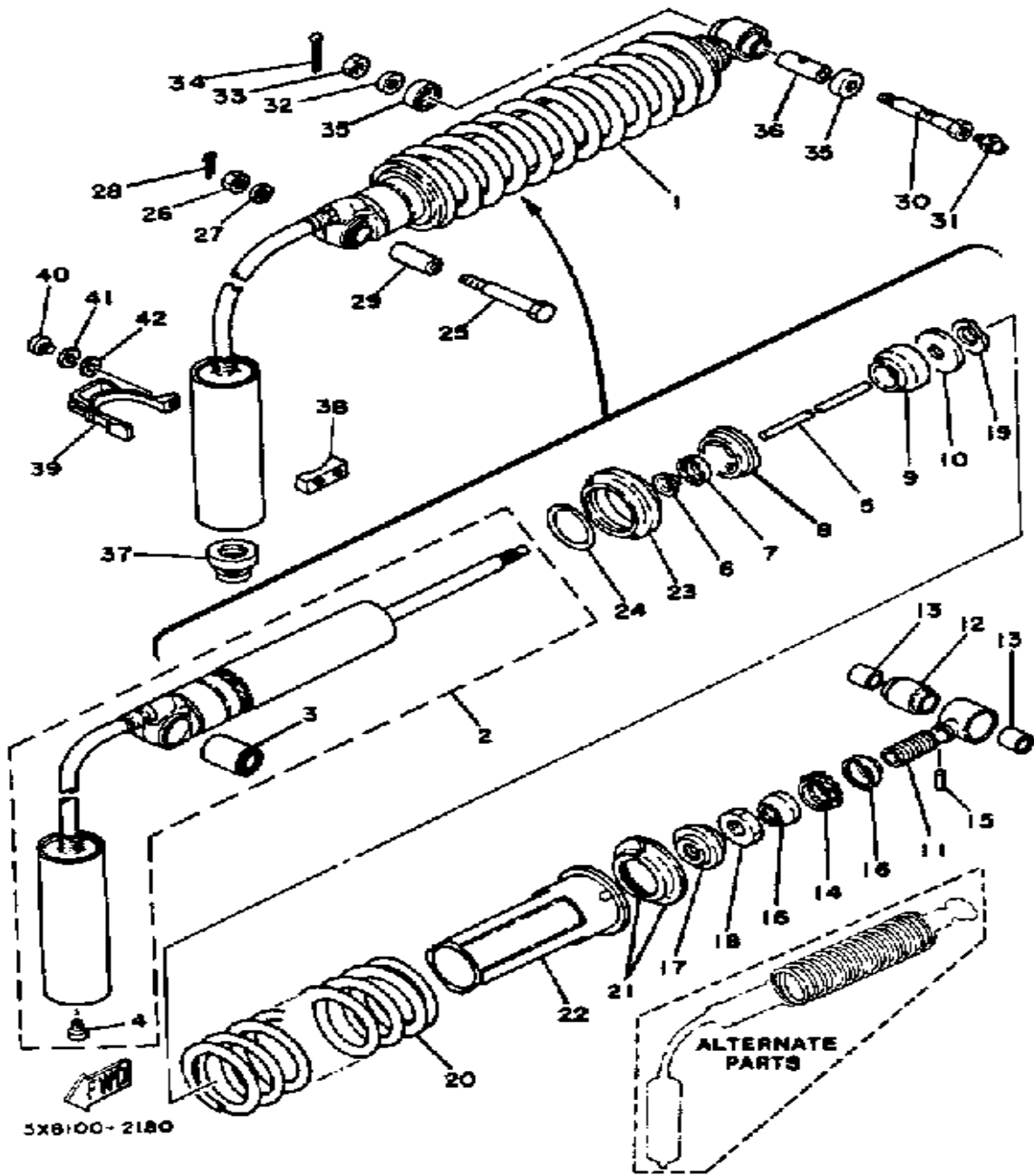
CONTINUED ON NEXT FRAME ►

SWING ARM



Ref. No.	Part Number	Description	Qty	Remarks
53	91401-25020-00	PIN, COTTER	1	
54	5X6-22123-00-00	BUSH 1	1	
55	90384-16156-00	BUSH, BIMETAL FORM	2	
56	5X6-2217H-00-00	COVER, DUST	2	
57	90249-16153-00	PIN, SPEC'L SHAPE	1	
58	90215-16198-00	WASHER, LOCK	1	
59	90201-16243-00	WASHER, PLATE (322-15613-00)	1	
60	91401-40040-00	PIN, COTTER	1	
61	93700-06M03-00	NIPPLE, GREASE	2	
62	5X6-2218A-00-00	EMBLEM	2	
63	5X4-2214F-00-00	DAMPER 1	2	

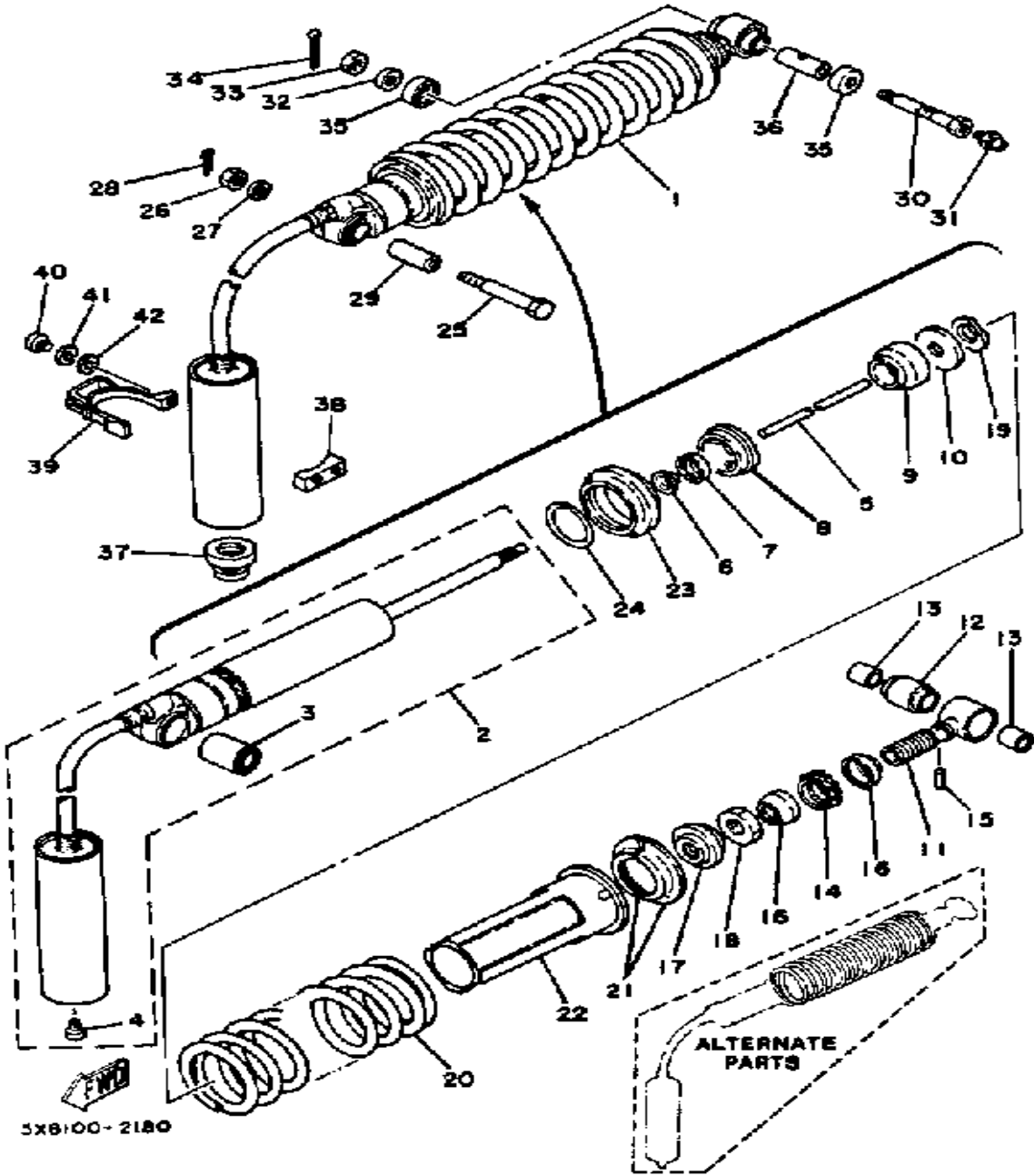
REAR SHOCKS



Ref. No.	Part Number	Description	Qty	Remarks
1	(5X8-22210-00-00)	SHK/ABS ASSEMBLY, REAR	1	
2	(5X8-22401-00-00)	DAMPER SUB-ASSEMBLY.	1	
3	(5X6-22216-00-00)	BUSH, RR SHOCK ABS	1	
4	98511-04006-00	.. SCREW, PAN HEAD (98501-04005)	1	
5	(5X3-22489-00-00)	ROD, PUSH	1	
6	23X-22475-00-00	. SEAL, DUST	1	
7	23X-22475-00-00	. SEAL, DUST	1	
8	26A-22472-00-00	. CAP, CASE	1	
9	(5X8-22493-00-00)	BUMP, STOP	1	
10	3R4-22228-00-00	. SUPPORT, BUMP STOP	1	
11	(5X3-22409-00-00)	UPPER BRKT SUB ASSEMBLY	1	
12	5X6-22226-00-00	. BUSH, SHOCK ABS LWR	1	
13	90384-18157-00	. BUSH, BIMETAL FORMED	2	
14	5X3-22497-00-00	. NUT, ADJUSTING	1	
15	93604-26132-00	. PIN, DOWEL	1	
16	3R4-22221-01-00	. COVER	2	
17	3R4-22213-00-00	. SEAT, SPRING UPPER	1	
18	90170-20320-00	. NUT	1	
19	90206-14067-00	. WASHER, WAVE	1	
20	(5X8-22212-00-00)	SPRING	1	
	(5X8-22212-10-00)	SPRING, MXS SOFT	1	U.R. ALT. PART
	5X8-22212-20-00	SPRING, MXS HARD	1	U.R. ALT. PART
21	3R4-22214-01-00	. GUIDE, SPRING 1 (3R4-22214-00)	2	
22	(5X3-22224-00-00)	GUIDE, SPRING 2	1	
23	3R4-22223-00-00	. SEAT, SPRING LOWER	1	
24	93440-50078-00	. CIRCLIP, OUTER	1	
25	90109-10550-00	BOLT (90109-10453-00)	1	

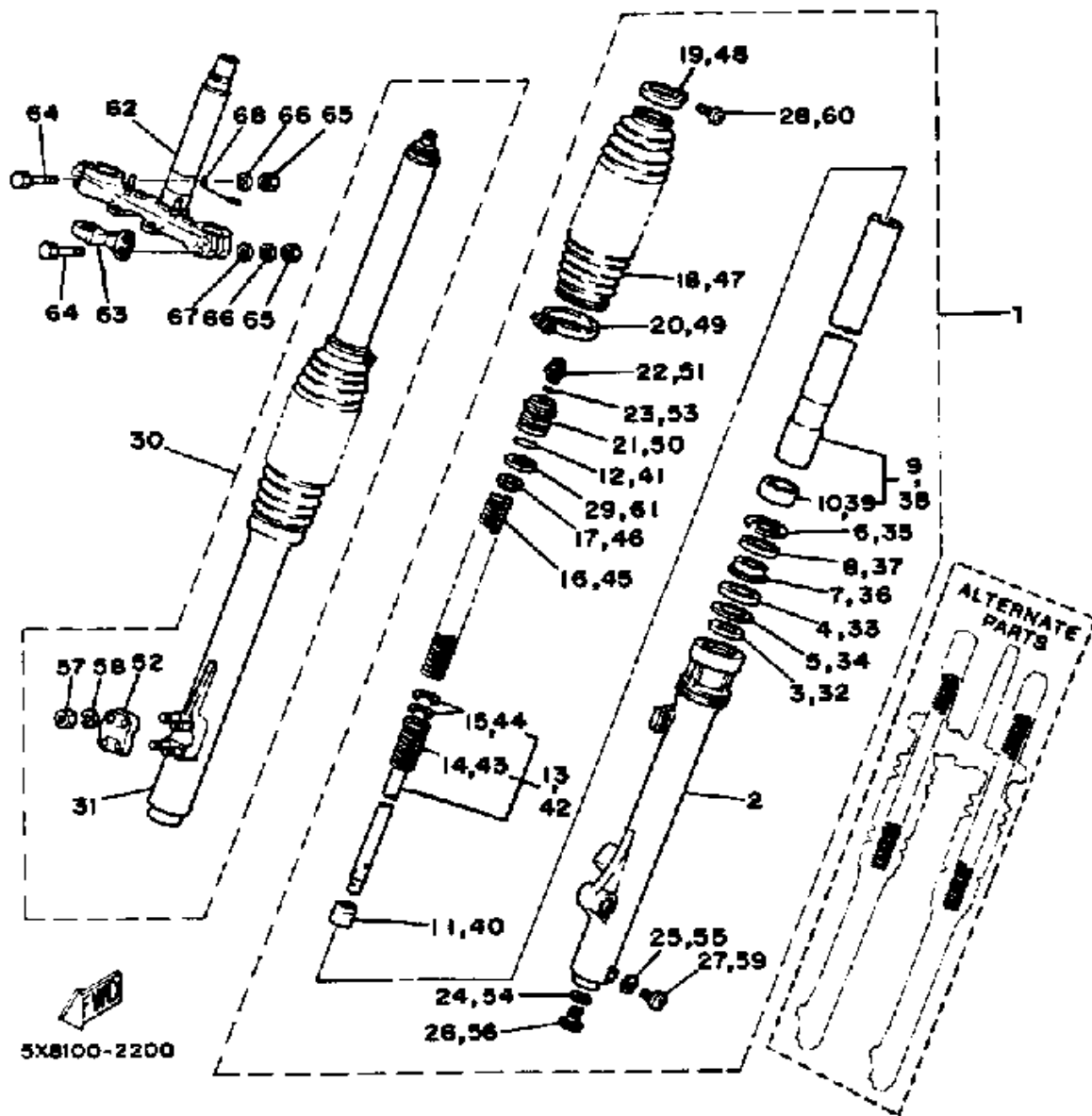
CONTINUED ON NEXT FRAME ►

REAR SHOCKS



Ref. No.	Part Number	Description	Qty	Remarks
26	95303-10700-00	NUT	1	
27	90201-100F7-00	WASHER, PLATE	1	
28	91490-20025-00	PIN, SPLIT	1	
29	90380-12094-00	BUSH, SOLID	1	
30	(90109-10648-00)	BOLT	1	
31	93700-06M03-00	NIPPLE, GREASE	1	
32	90201-100E9-00	WASHER, PLATE	1	
33	95601-10100-00	NUT, U (95602-10100-00)	1	
34	91401-25020-00	PIN, COTTER	1	
35	5X6-22129-00-00	COVER, THRUST 2	2	
36	90380-12094-00	BUSH, SOLID	1	
37	90480-22263-00	GROMMET	1	
38	5X6-22261-00-00	DAMPER, SUB TANK	1	
39	3R3-22262-00-00	HOLDER, SUB TANK	1	
40	98503-06014-00	SCREW, PAN HEAD (92502-06016)	1	
41	92995-06100-00	WASHER, SPRING	1	
42	92901-06600-00	WASHER	1	

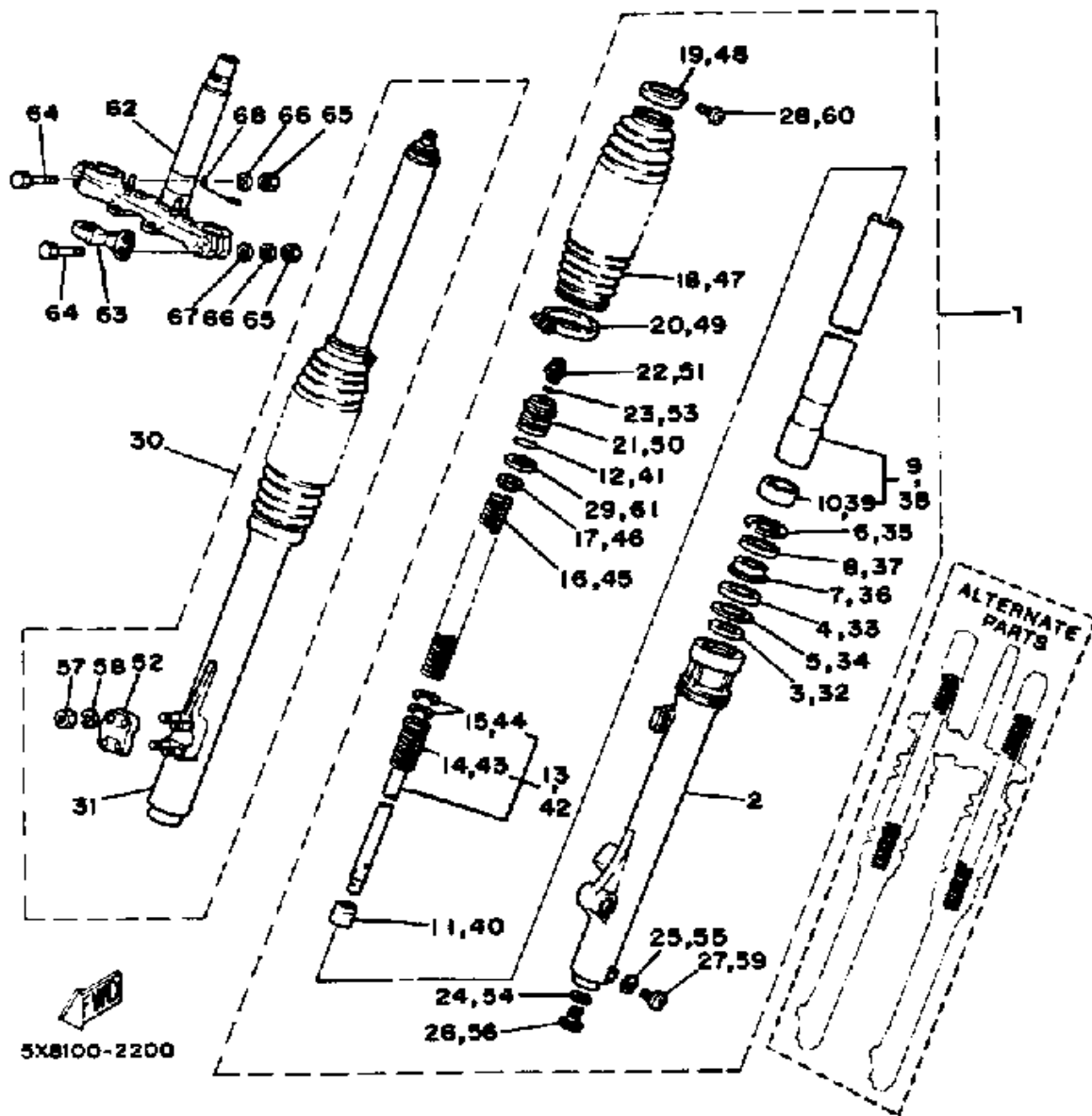
FRONT FORK



Ref. No.	Part Number	Description	Qty	Remarks
1	(5X8-23102-L0-00)	FRONT FORK ASSEMBLY L	1	
2	(4V5-23126-L0-00)	TUBE, OUTER 1	1	
3	2YK-23125-00-00	. METAL, SLIDE 1	1	
4	3EN-23145-00-00	. OIL SEAL	1	
5	4V2-23146-L0-00	. WASHER, OIL SEAL	1	
6	3R4-23153-00-00	. RING, SNAP	1	
7	3R4-23144-00-00	. SEAL, DUST	1	
8	3R4-23148-00-00	. COVER, DUST SEAL	1	
9	5X4-23110-L0-00	. INNER TUBE 1	1	
10	4V2-23171-L0-00	. . PISTON, FRONT FORK	1	
11	(3R4-23173-L0-00)	SPINDLE, TAPER	1	
12	1W4-23114-L0-00	. GASKET	1	
13	(5X8-23170-L0-00)	CYLINDER, FRTRFK	1	
14	(1W4-23151-L0-00)	SPRING, REBOUND	1	
15	4V2-23157-L0-00	. . RING, PISTON FRTRFK	2	
16	(5X8-23141-L0-00)	SPRING, FRONT FORK	1	
	5X8-23141-10-00	SPRING, FRTRFK SOFT	1	U.R. ALT. PART
	5X8-23141-20-00	SPRING, FRTRFK HARD	1	U.R. ALT. PART
17	1W4-23142-L0-00	. SEAT, SPRING UPPER	1	
18	3R4-23191-M0-00	. BOOT, FRONT FORK	1	
19	1W4-23192-L0-00	. BAND	1	
20	1W4-23489-L0-00	. BAND	1	
21	5X4-23111-L0-00	. BOLT, CAP	1	
22	4V4-23190-L0-00	. AIR VALVE COMP	1	
23	3J2-23147-00-00	. O-RING	1	
24	509-23158-L0-00	. GASKET	1	
25	122-23129-00-00	. GASKET, DRAIN PLUG	1	
26	3R4-23181-L0-00	. BOLT, HEX SCKT HEADSOCKET HEAD	1	

CONTINUED ON NEXT FRAME ➤

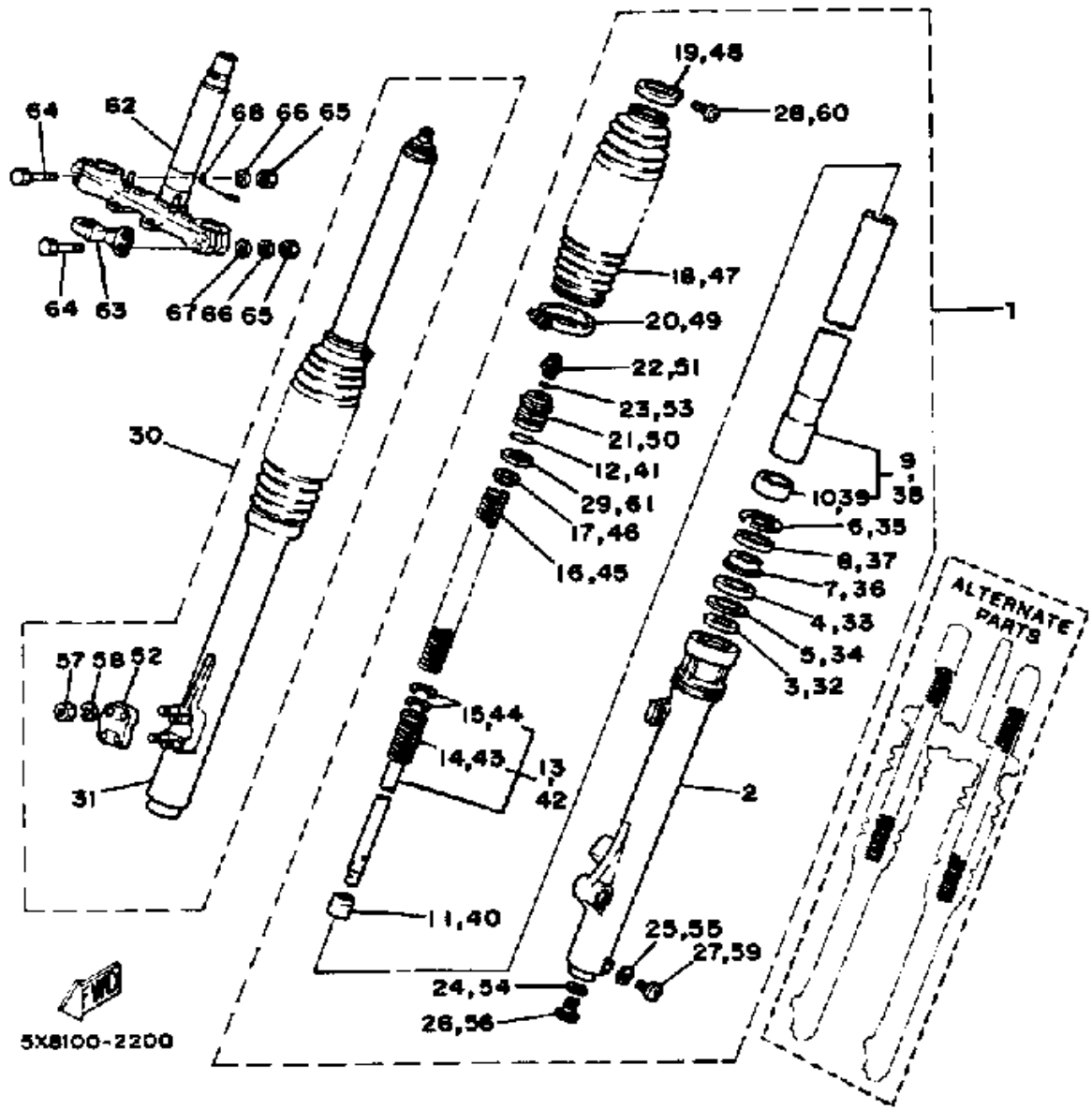
FRONT FORK



Ref. No.	Part Number	Description	Qty	Remarks
27	4H7-23119-00-00	. PLUG, DRAIN - (122-23119-01)	1	
28	98506-04020-00	. SCREW, PAN HEAD	1	
29	5X8-23118-L0-00	. SPACER	1	
30	(5X8-23103-L0-00)	FRONT FORK ASSEMBLY R	1	
31	(4V5-23136-L0-00)	TUBE, OUTER 2	1	
32	2YK-23125-00-00	. METAL, SLIDE 1	1	
33	3EN-23145-00-00	. OIL SEAL	1	
34	4V2-23146-L0-00	. WASHER, OIL SEAL	1	
35	3R4-23153-00-00	. RING, SNAP	1	
36	3R4-23144-00-00	. SEAL, DUST	1	
37	3R4-23148-00-00	. COVER, DUST SEAL	1	
38	5X4-23110-L0-00	. INNER TUBE 1	1	
39	4V2-23171-L0-00	. . PISTON, FRONT FORK	1	
40	(3R4-23173-L0-00)	SPINDLE, TAPER	1	
41	1W4-23114-L0-00	. GASKET	1	
42	(5X8-23170-L0-00)	CYLINDER, FRTFRK	1	
43	(1W4-23151-L0-00)	SPRING, REBOUND	1	
44	4V2-23157-L0-00	. . RING, PISTON FRTFRK	2	
45	(5X8-23141-L0-00)	SPRING, FRONT FORK	1	
	5X8-23141-10-00	SPRING, FRTFRK SOFT	1	U.R. ALT. PART
	5X8-23141-20-00	SPRING, FRTFRK HARD	1	U.R. ALT. PART
46	1W4-23142-L0-00	. SEAT, SPRING UPPER	1	
47	3R4-23191-M0-00	. BOOT, FRONT FORK	1	
48	1W4-23192-L0-00	. BAND	1	
49	1W4-23489-L0-00	. BAND	1	
50	5X4-23111-L0-00	. BOLT, CAP	1	
51	4V4-23190-L0-00	. AIR VALVE COMP	1	
52	4V2-23167-L0-00	. HOLDER, AXLE	1	
53	3J2-23147-00-00	. O-RING	1	

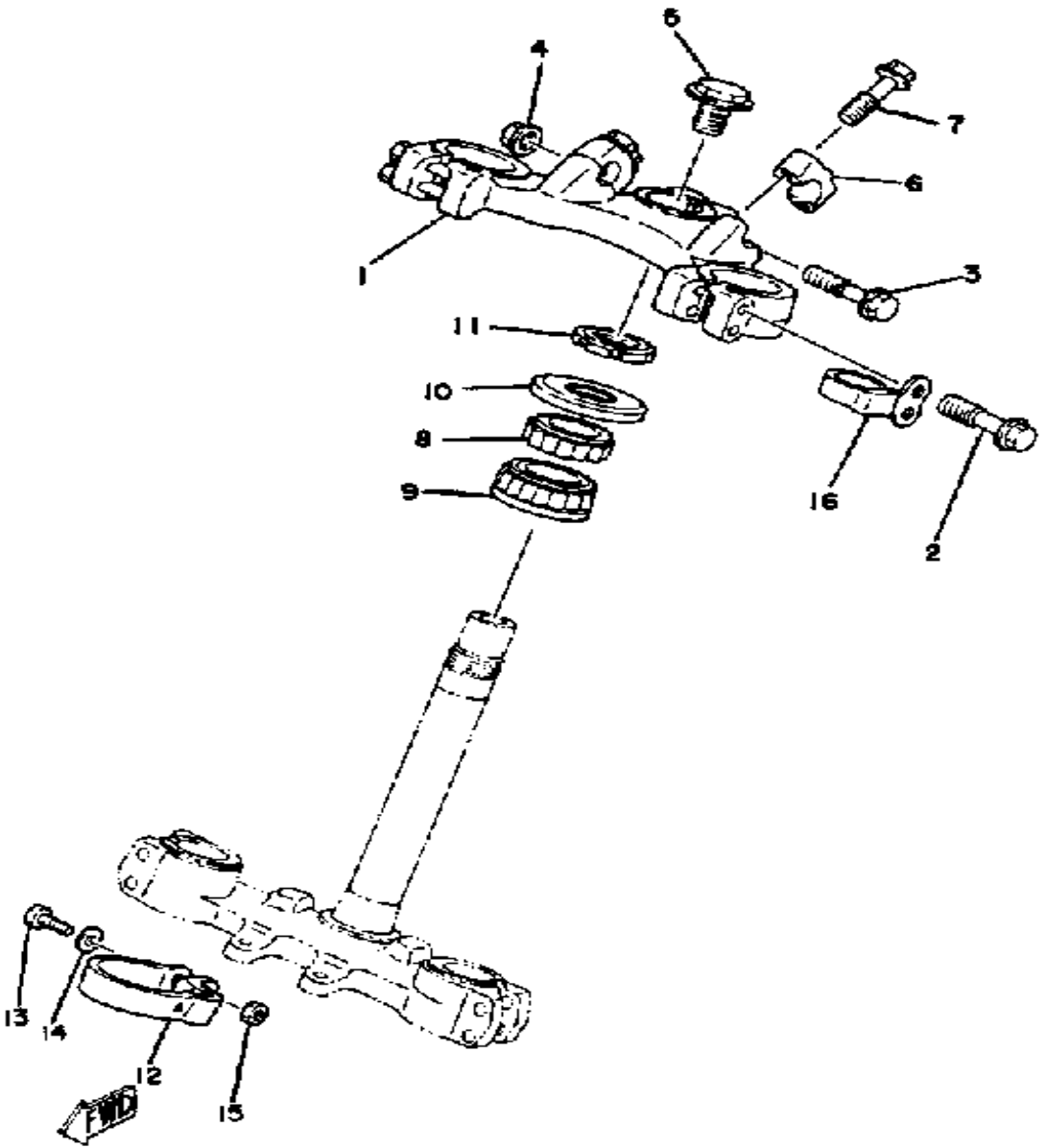
CONTINUED ON NEXT FRAME ➤

FRONT FORK



Ref. No.	Part Number	Description	Qty	Remarks
54	509-23158-L0-00	. GASKET	1	
55	122-23129-00-00	. GASKET, DRAIN PLUG	1	
56	3R4-23181-L0-00	. BOLT, HEX SCKT HEADSOCKET HEAD	1	
57	95311-06600-00	. NUT	4	
58	92995-06100-00	. WASHER, SPRING	4	
59	4H7-23119-00-00	. PLUG, DRAIN - (122-23119-01)	1	
60	98506-04020-00	. SCREW, PAN HEAD	1	
61	5X8-23118-L0-00	. SPACER	1	
62	4V5-23340-L0-33	UNDER BRACKET	1	YAMAHA BLK
63	3R4-23389-00-00	GUIDE, CABLE	1	
64	90101-08340-00	BOLT	4	
65	95333-08600-00	NUT	4	
66	92990-08100-00	WASHER	4	
67	92901-08600-00	WASHER	3	
68	4V5-23389-00-00	GUIDE, CABLE	1	

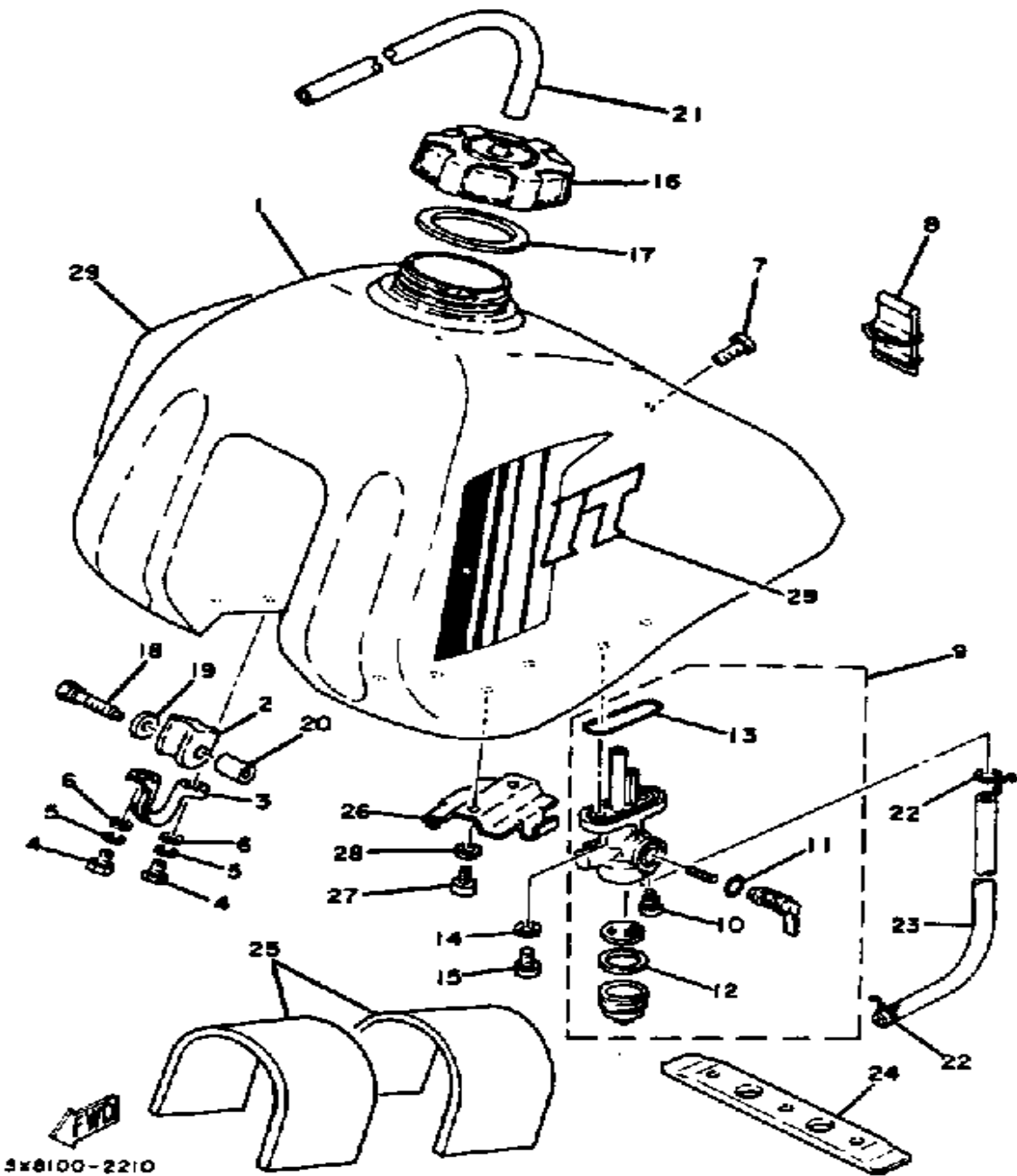
STEERING



4V5100-2190

Ref. No.	Part Number	Description	Qty	Remarks
1	1W4-23435-00-98	CROWN, HANDLE	1	LOW GLOSS BLK
2	90105-08091-00	BOLT, WASHER BASED	4	
3	95811-08055-00	BOLT, FLANGE	1	
4	95701-08500-00	NUT, FLANGE	1	
5	90105-14102-00	BOLT, WASHER BASED	1	
6	1E6-23441-00-00	HOLDER, HANDLE UPR	2	LOW GLOSS BLK
7	95811-08035-00	BOLT, FLANGE (95821-08035) .	4	
8	93332-00001-00	BEARING	1	
9	93332-00008-00	BEARING	1	
10	3HE-23416-00-00	COVER, BALL RACE 2	1	
11	90179-25033-00	NUT	1	
12	1W2-23318-00-00	HOLDER, CABLE 1	1	
13	98501-05018-00	SCREW, PAN HEAD	1	
14	92901-05600-00	WASHER, PLATE	1	
15	95380-05600-00	NUT	1	
16	3R4-23389-00-00	GUIDE, CABLE	1	

FUEL TANK

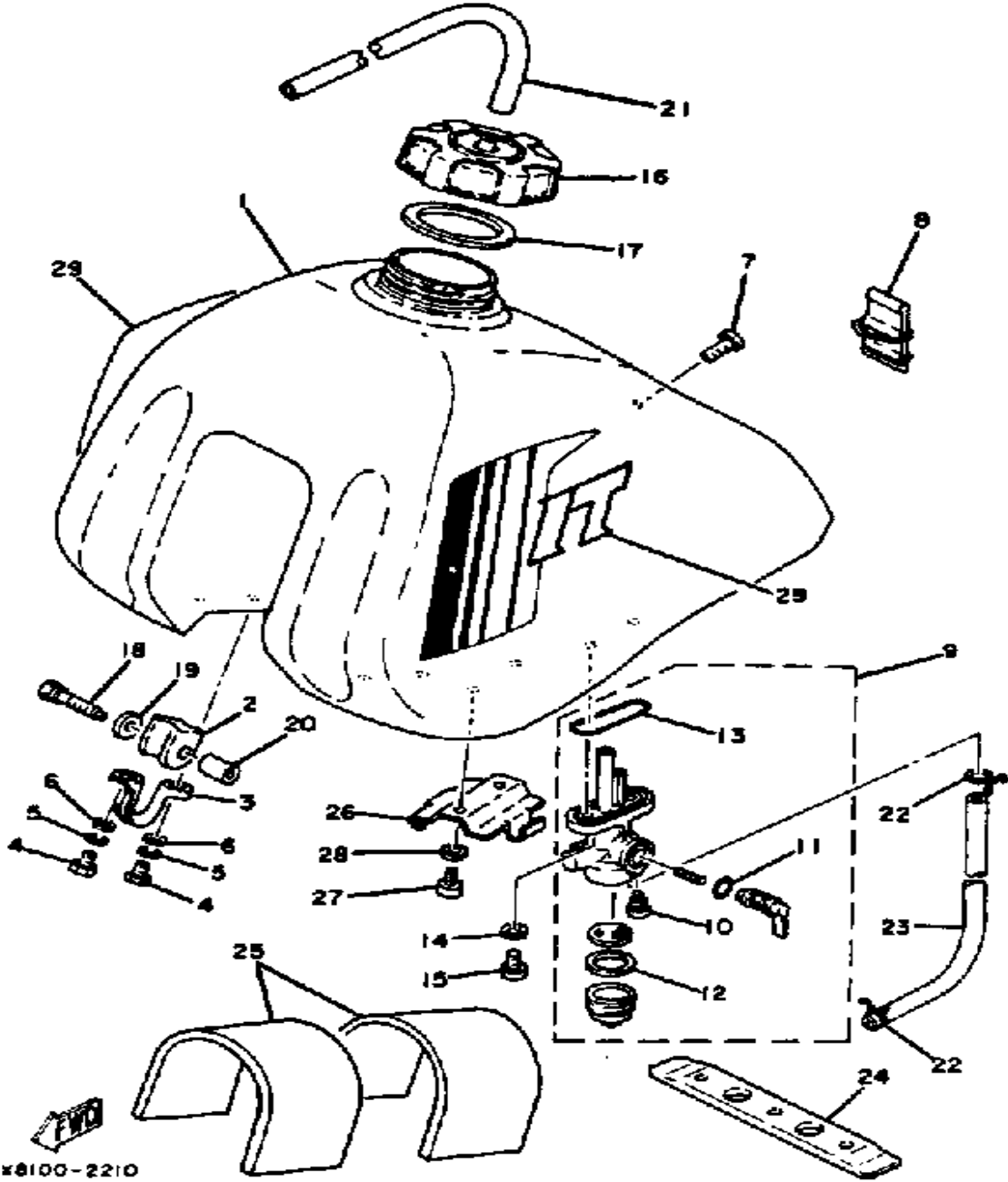


Ref. No.	Part Number	Description	Qty	Remarks
1	5X8-24110-00-00	FUEL TANK	1	SKY BLUE
2	1W1-24182-01-00	DAMPER, LOCATING 2	2	
3	1W1-24144-01-00	HOLDER, DAMPER	2	
4	97013-06012-00	BOLT	4	
5	92995-06100-00	WASHER, SPRING	4	
6	92901-06600-00	WASHER	4	
7	98903-06018-00	SCREW, BIND	1	
8	59V-24173-00-00	BAND, TANK FITTING 1	1	
9	3R9-24500-00-00	FUEL COCK ASSEMBLY 1	1	
10	2N3-24535-00-00	. SCREW, LVR FITTING	1	
11	2N3-24528-00-00	. GASKET	1	
12	357-24522-10-00	. GASKET	1	
13	2W6-24512-00-00	. O-RING	1	
14	90202-05187-00	WASHER, PLATE	2	
15	90149-06011-00	SCREW	2	
16	1UY-24610-00-00	CAP ASSEMBLY	1	
17	3R9-24612-00-00	GASKET, CAP	1	
18	90119-06022-00	BOLT, WITH WASHER	2	
19	90201-06407-00	WASHER, PLATE (90201-06747-00)	2	
20	90387-07393-00	COLLAR (308-84557-00)	2	
21	90445-11356-00	HOSE	1	
22	90467-10008-00	CLIP	2	
23	90445-09361-00	HOSE	1	
24	3R4-24181-00-00	DAMPER, LOCATING 1	1	
25	1W1-24183-00-00	DAMPER, LOCATING 3	2	
26	5X6-2415F-01-00	STAY, CHAMBER	1	
27	98580-06010-00	SCREW, PAN HEAD (92503-06010)	2	

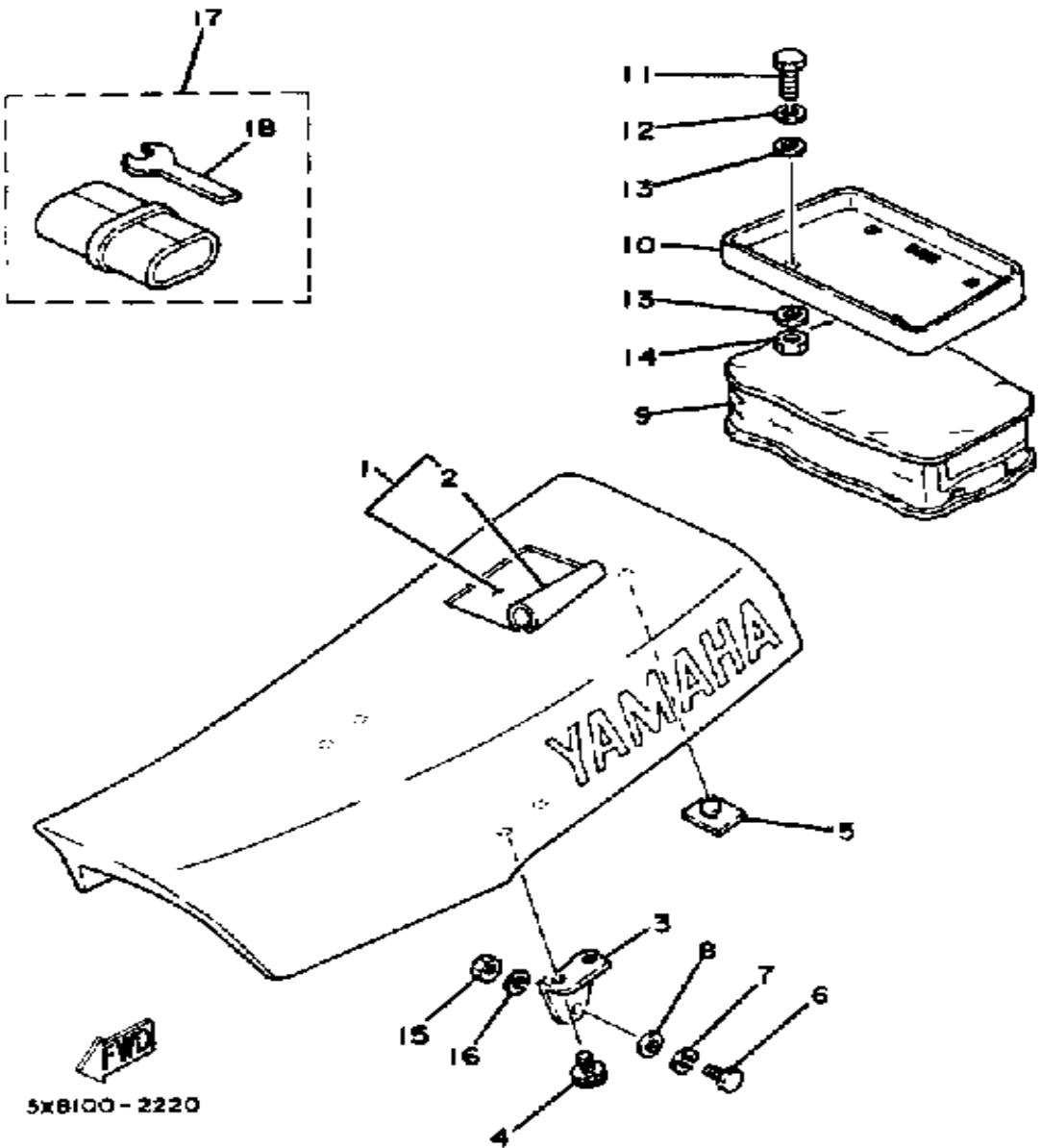
CONTINUED ON NEXT FRAME ►

FUEL TANK

Ref. No.	Part Number	Description	Qty	Remarks
28	92995-06100-00	WASHER, SPRING	2	
29	(5X8-24240-09-00)	GRAPHIC SET	1	

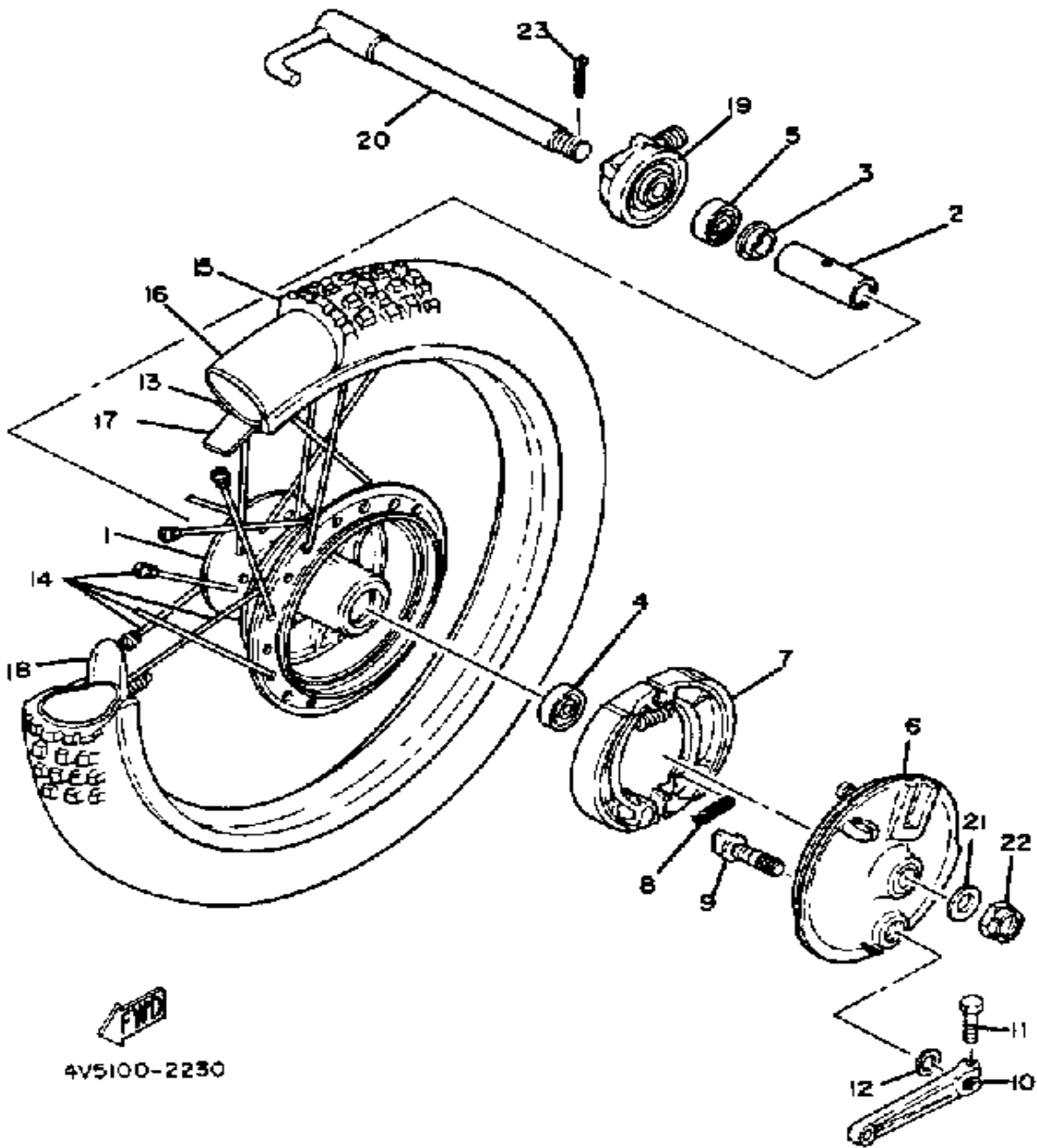


SEAT



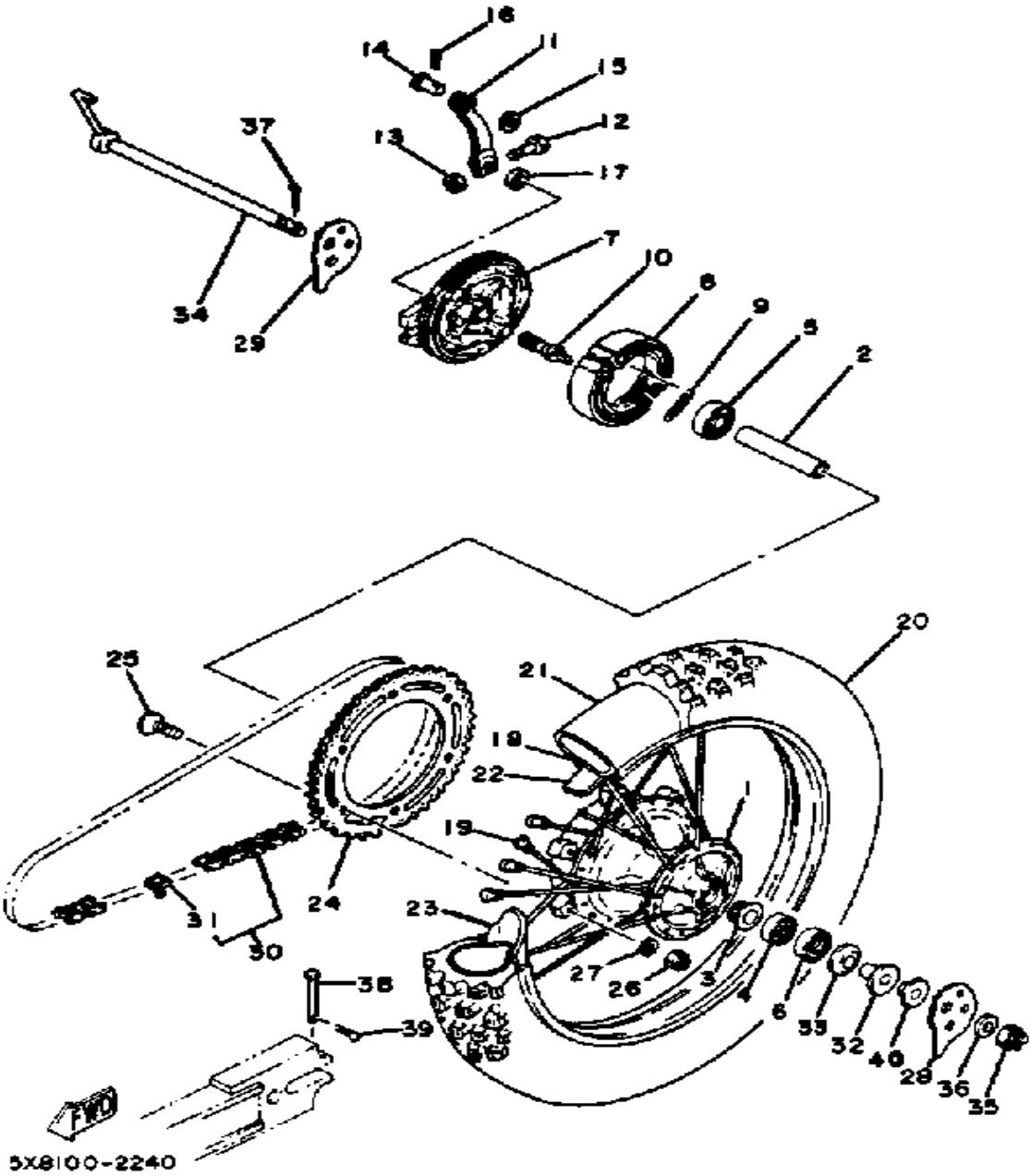
Ref. No.	Part Number	Description	Qty	Remarks
1	5X8-W2473-00-00	SEMI-DBL-SEAT ASSEMBLY ..	1	
2	5X8-24771-00-00	. COVER, SM-DBL SEAT	1	
3	1W1-24738-00-00	BRACKET, SEAT	2	
4	90101-06304-00	BOLT	4	
5	509-24724-00-00	DAMPER, SEAT	1	
6	97313-06016-00	BOLT, HEXAGON	2	
7	92995-06100-00	WASHER, SPRING	2	
8	92901-06600-00	WASHER	2	
9	4V5-24850-00-00	CARRIER BOX ASSEMBLY ...	1	
10	4V5-24833-00-00	BRACKET, CARRIER 2	1	
11	97313-06016-00	BOLT, HEXAGON	4	
12	92995-06100-00	WASHER, SPRING	4	
13	90201-06571-00	WASHER, PLATE	8	
14	95380-06600-00	NUT	4	
15	95601-06100-00	NUT, U	2	
16	92990-06200-00	WASHER	2	
17	1W2-W2810-00-00	TOOL KIT	1	
18	10V-28135-00-00	. SPANNER, SPECIAL	1	

FRONT WHEEL



Ref. No.	Part Number	Description	Qty	Remarks
1	23X-25111-00-98	HUB, FRONT	1	LOW GLOSS BLK
2	90560-15116-00	SPACER	1	
3	146-25116-00-00	FLANGE, SPACER 2	1	
4	93306-20226-00	BEARING	1	
5	93306-20209-00	BEARING (B6202)	1	
6	1W1-25016-11-98	BRAKE SHOE PLT ASSEMBLY (1W1-25121-02-98)	1	LOW GLOSS BLK
7	322-W2535-00-00	BRAKESHOE SET-2PCS	2	
8	90506-17328-00	SPRING, TENSION	2	
9	23X-25151-00-00	CAMSHAFT	1	
10	322-25155-00-00	LEVER, CAMSHAFT 1	1	
11	90101-06291-00	BOLT	1	
12	137-25159-00-00	SEAL, CAMSHAFT	1	
13	94416-21234-00	RIM 1.60X 1	1	
14	2W6-25104-02-00	SPOKE SET, FRONT	1	
15	94109-210G1-00	90/90-21 M2E 1RC (3.00-21)	1	INOUE
16	94230-21126-00	TUBE (3.00-21)	1	INOUE
17	(94330-21088-00)	BAND, RIM	1	INOUE
18	1T1-25194-00-00	SPACER, BEAD	1	
19	1W2-25190-00-00	GEAR UNIT ASSEMBLY	1	
20	(99999-01618-00)	AXLE, WHEEL	1	
	43F-25181-00-00	. AXLE, WHEEL	1	
	90201-15423-00	. WASHER, PLATE	1	
21	90201-15785-00	WASHER, PLATE	1	
22	90171-14020-00	NUT, CASTLE	1	
23	91401-30030-00	PIN, COTTER	1	

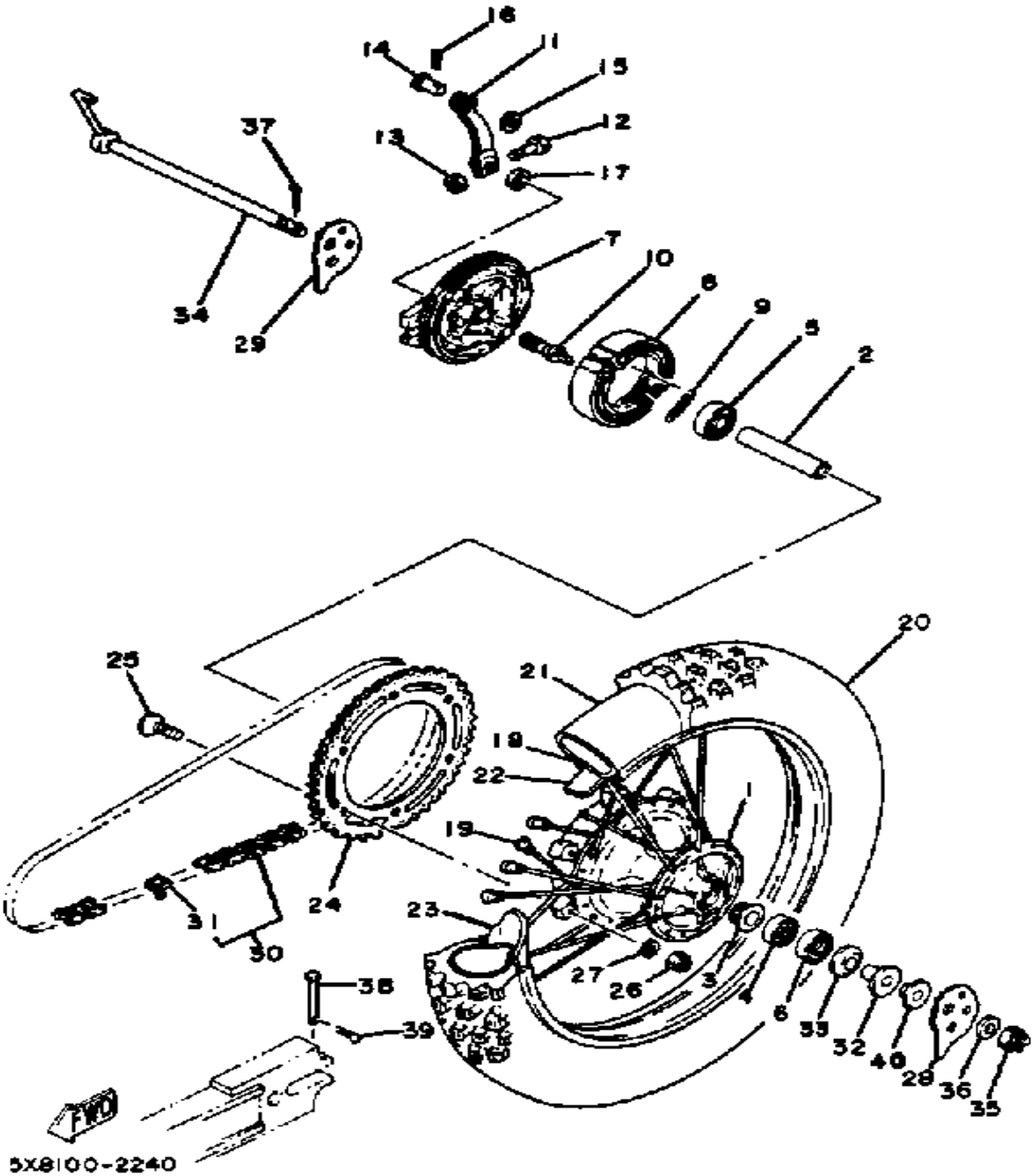
REAR WHEEL



Ref. No.	Part Number	Description	Qty	Remarks
1	3R3-25311-02-98	HUB, REAR	1	LOW GLOSS BLK
2	3R3-25317-00-00	SPACER, BEARING	1	
3	146-25116-00-00	FLANGE, SPACER 2	1	
4	93306-20209-00	BEARING (B6202)	1	
5	93306-30202-00	BEARING	1	
6	93106-22017-00	OIL SEAL, DD-TYPE	1	
7	99999-02025-00	PLATE, BRAKE SHOE	1	LOW GLOSS BLK
8	437-W2536-00-00	BRAKESHOE SET-2PCS	2	
9	90506-17328-00	SPRING, TENSION	2	
10	401-25351-00-00	CAMSHAFT	1	
11	3R6-25355-01-00	LEVER, CAMSHAFT	1	
12	90101-06278-00	BOLT	1	
13	95380-06600-00	NUT	1	
14	3R6-27237-00-00	PIN, CLEVIS	1	
15	90201-12631-00	WASHER, PLATE	1	
16	91401-25030-00	PIN, COTTER	1	
17	148-25359-00-00	SEAL, CAMSHAFT	1	
18	94418-18245-00	RIM 1.85X 8	1	
19	4V2-25304-00-00	SPOKE SET, REAR	1	
20	94112-182F7-00	120/90-18 MK2-TT (110/90-18 61M)	1	INOUE
21	(94211-18209-00)	TUBE	1	
22	94325-18043-00	BAND, RIM	1	
23	2X3-25394-00-00	SPACER, BEAD	2	
24	26A-25442-50-00	SPROCKET, DRIVN 42T	1	ALT. PART YAMAHA BLACK
	26A-25444-50-00	SPROCKET, DRIVEN (44T)	1	STD YAMAHA BLK
	26A-25446-50-33	SPROCKET, DRIVEN (46T) (26A-25446-50-00)	1	ALTERNATE PART YAMAHA BLACK

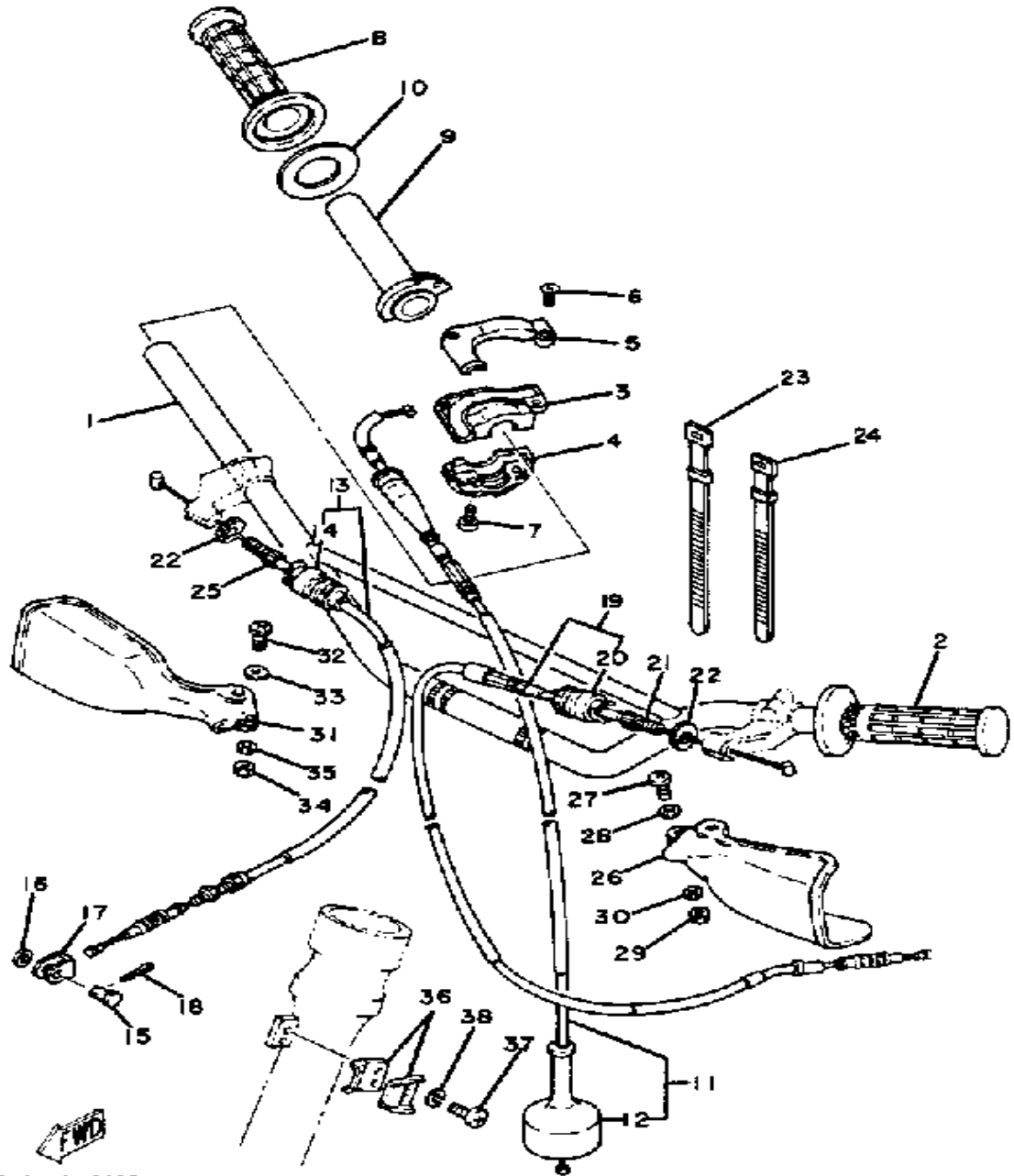
CONTINUED ON NEXT FRAME ➤

REAR WHEEL



Ref. No.	Part Number	Description	Qty	Remarks
25	90110-08038-00	BOLT, HEX SKT HEAD	6	
26	90185-08089-00	NUT, SELF-LOCKING	6	
27	92990-08200-00	WASHER, PLAIN	6	
28	1W2-25388-01-00	PULLER, CHAIN 1	1	
29	1W2-25389-01-00	PULLER, CHAIN 2	1	
30	9Y585-20103-00	CHAIN 520DS-104L	1	
31	94685-20001-00	. JOINT CHAIN	1	
32	90387-152A3-00	COLLAR	1	
33	3R3-25367-00-00	COVER, HUB DUST	1	
34	5X8-25381-00-00	AXLE, WHEEL	1	
35	90171-14020-00	NUT, CASTLE	1	
36	90201-15238-00	WASHER, PLATE	1	
37	91401-30030-00	PIN, COTTER	1	
38	91702-05035-00	PIN, CLEVIS	2	
39	91490-16020-00	PIN, COTTER	2	
40	90381-15034-00	BUSH, SOLID	1	

HANDLEBAR-CABLE

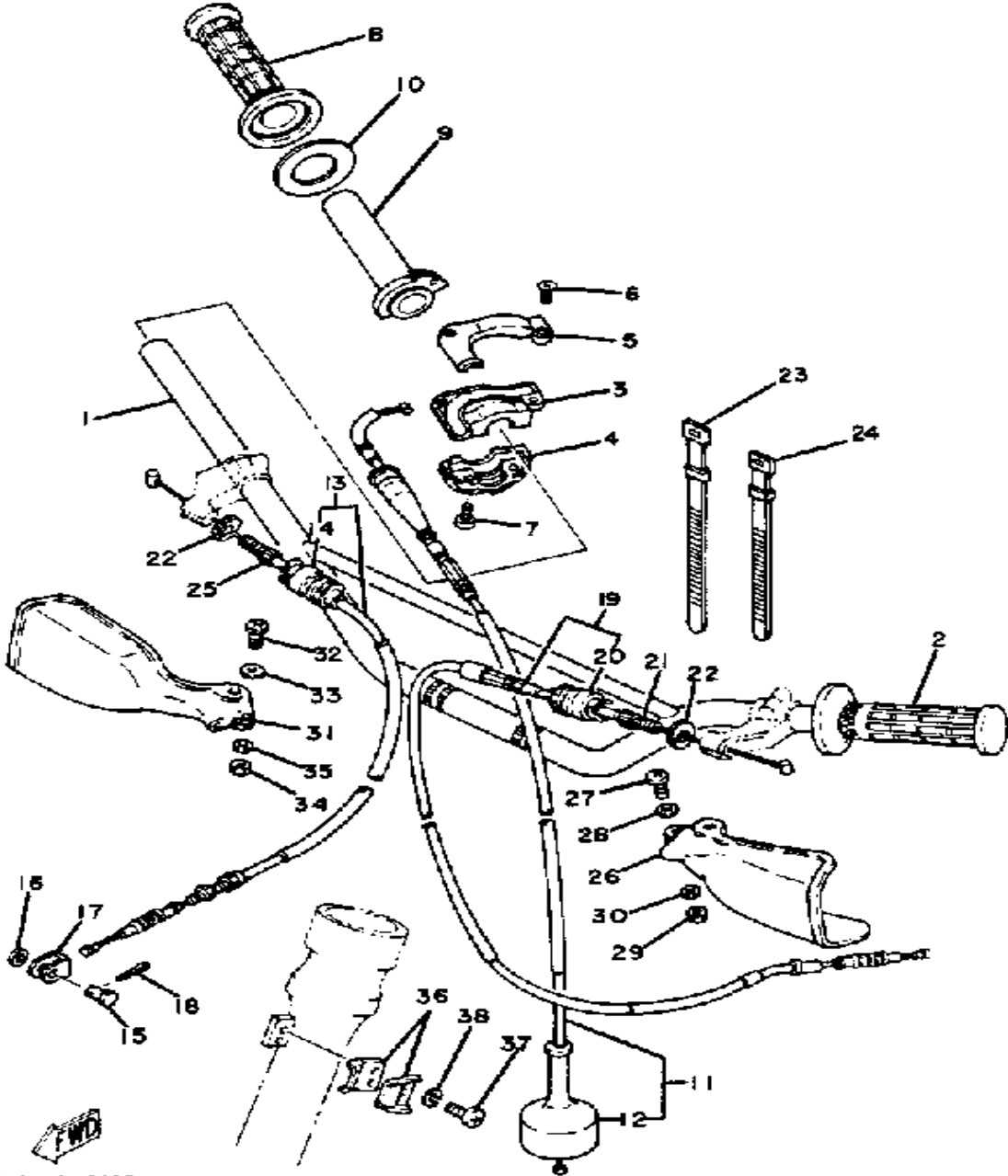


5XB100-2250

Ref. No.	Part Number	Description	Qty	Remarks
1	3G7-26111-00-00	HANDLEBAR	1	
2	4V4-26241-01-00	GRIP (L.H.) (4V4-26241-00) ...	1	
3	5X2-26281-00-00	CAP, GRIP UPPER	1	
4	322-26282-00-00	CAP, GRIP LOWER	1	
5	5X2-2628H-01-00	CAP, WIRE	1	
6	98706-04012-00	SCREW, FLAT HEAD	2	
7	98586-05016-00	SCREW, PAN HEAD	2	
8	1LX-26242-01-00	GRIP (RIGHT)	1	
9	322-26243-00-00	TUBE, throttle guide	1	
10	1W1-26249-00-00	RING, leaf	1	
11	5X8-26311-00-00	CABLE, THROTTLE 1	1	
12	500-26329-01-00	. CAP, RUBBER	1	
13	5X8-26341-00-00	CABLE, BRAKE	1	
14	1E6-26342-00-00	. BOOT, CABLE	1	
15	90240-08013-00	PIN, CLEVIS	1	
16	90201-08083-00	WASHER, PLATE	1	
17	156-26347-00-00	JOINT, CABLE	1	
18	91490-20020-00	PIN, COTTER	1	
19	5X8-26335-00-00	CABLE, CLUTCH	1	
20	1E6-26342-00-00	. BOOT, CABLE	1	
21	90123-08046-00	BOLT	1	
22	90179-08148-00	NUT	2	
23	437-83936-11-00	BAND, SWITCH CORD	1	
24	437-83936-01-00	BAND, SWITCH CORD	1	
25	90123-08046-00	BOLT	1	
26	3R9-26141-00-00	GUARD, BRUSH 1	1	SKY BLUE
27	98503-06014-00	SCREW, PAN HEAD (92502-06016)	1	
28	92901-06600-00	WASHER	1	

CONTINUED ON NEXT FRAME ►

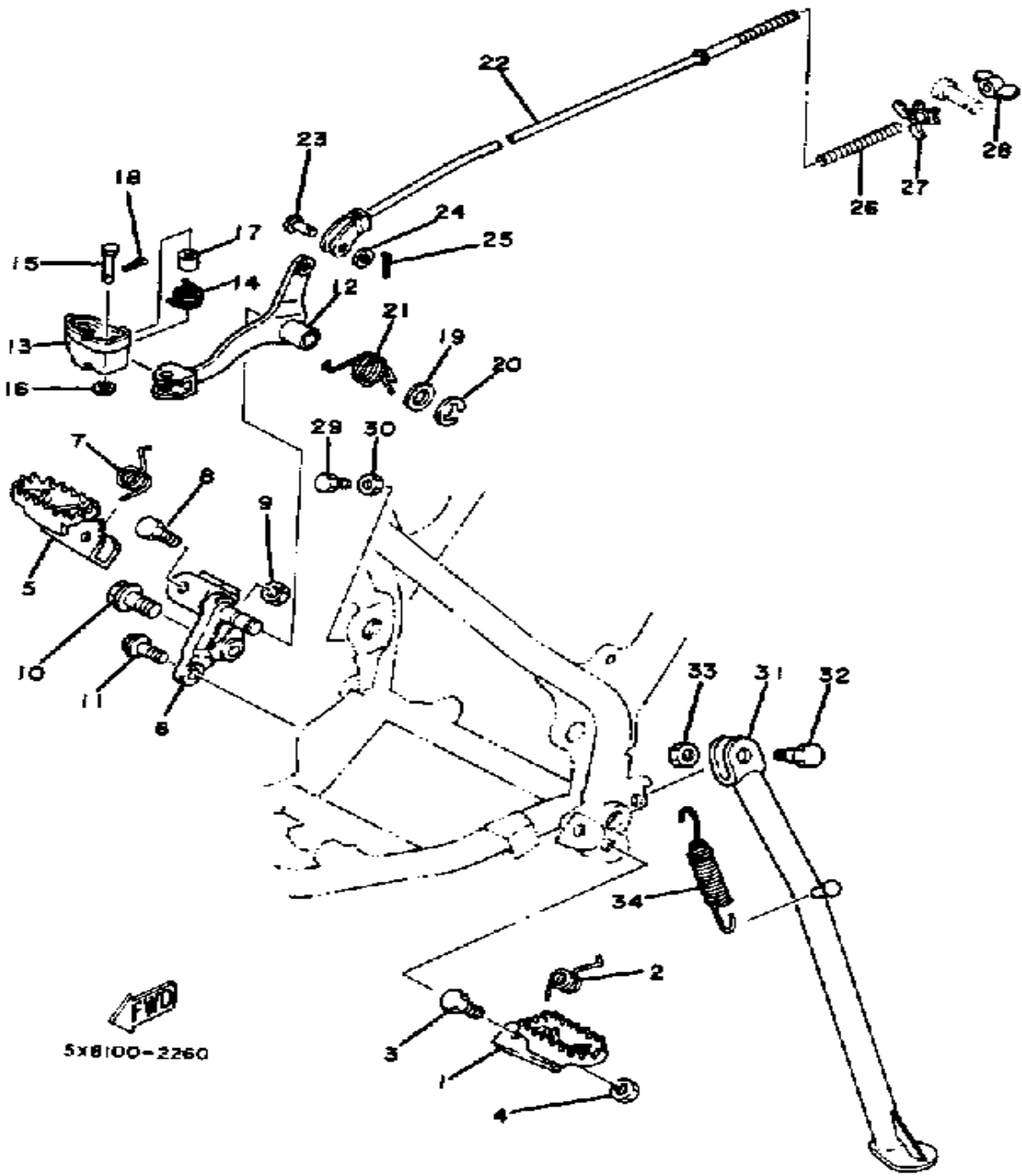
HANDLEBAR-CABLE



5XB100-2250

Ref. No.	Part Number	Description	Qty	Remarks
29	95380-06700-00	NUT	1	
30	92990-06200-00	WASHER	1	
31	3R9-26142-00-00	GUARD, BRUSH 2	1	SKY BLUE
32	98503-06014-00	SCREW, PAN HEAD (92502-06016)	1	
33	92901-06600-00	WASHER	1	
34	95380-06700-00	NUT	1	
35	92990-06200-00	WASHER	1	
36	90465-16258-00	CLAMP	2	
37	98503-06014-00	SCREW, PAN HEAD (92502-06016)	2	
38	92995-06100-00	WASHER, SPRING	2	

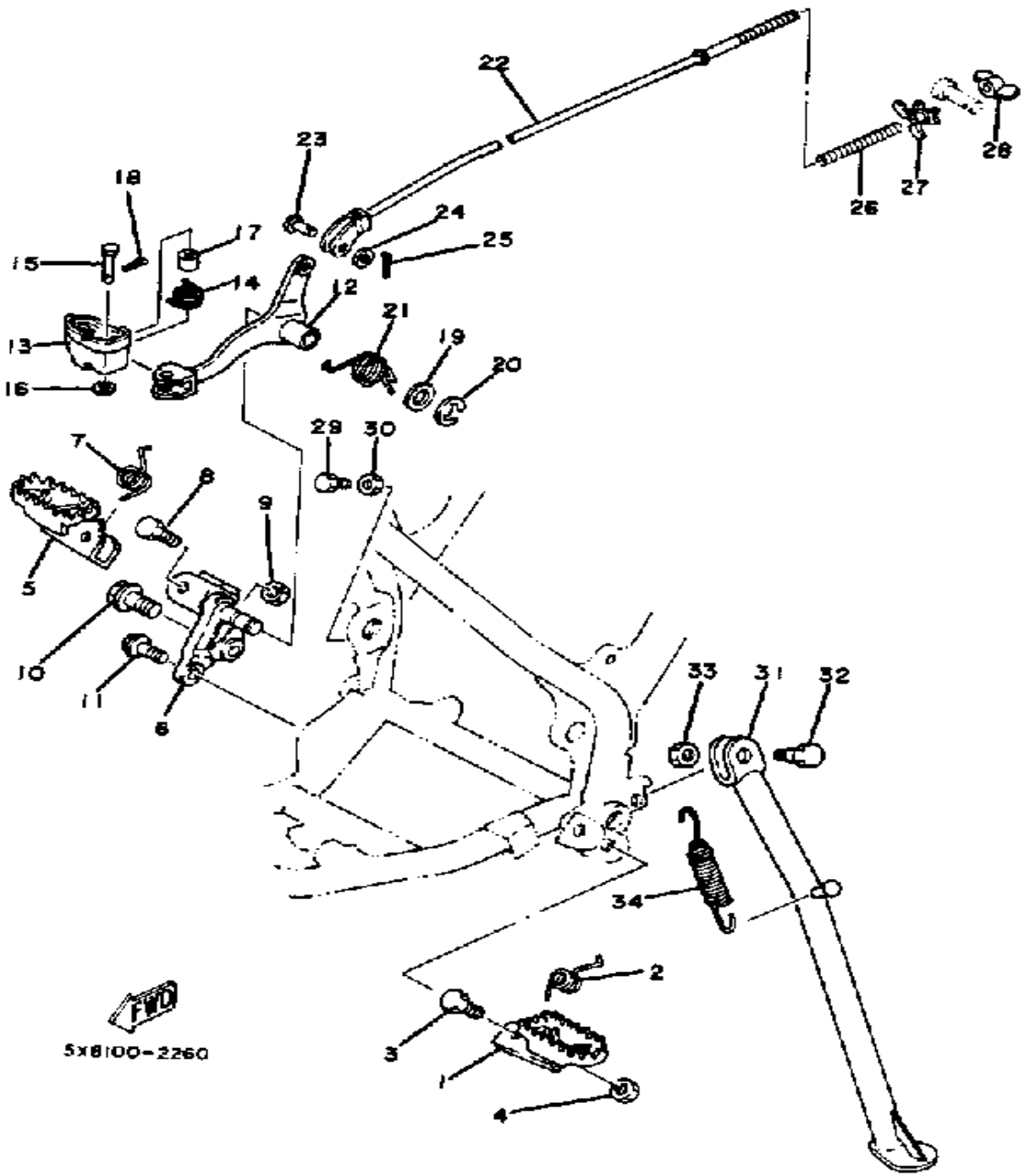
STAND-FOOTREST



Ref. No.	Part Number	Description	Qty	Remarks
1	5X3-27411-00-00	FOOTREST 1 (250H)	1	
2	90508-20023-00	SPRING, TORSION	1	
3	90101-08428-00	BOLT	1	
4	95611-08100-00	NUT, U	1	
5	4V4-27421-00-00	FOOTREST 2 (250H)	1	
6	5X3-27422-00-00	BRACKET, FOOTREST 2	1	
7	90508-20023-00	SPRING, TORSION	1	
8	90101-08428-00	BOLT	1	
9	95611-08100-00	NUT, U	1	
10	90105-12096-00	BOLT, WASHER BASED	1	
11	95811-10020-00	BOLT, FLANGE (95822-10020-00)	1	
12	5Y0-27211-00-90	PEDAL, BRAKE	1	UNI CHROME BLK
13	5X8-27242-00-00	PEDAL, BRAKE	1	
14	90508-20451-00	SPRING, TORSION	1	
15	91701-08032-00	PIN, CLEVIS	1	
16	92901-08600-00	WASHER	1	
17	90387-08762-00	COLLAR	1	
18	91401-25020-00	PIN, COTTER	1	
19	92990-12200-00	WASHER, PLAIN	1	
20	93430-09038-00	CIRCLIP	1	
21	90508-32544-00	SPRING, TORSION	1	
22	5X8-27231-00-00	ROD, BRAKE	1	
23	90240-06103-00	PIN, CLEVIS	1	
24	92990-06200-00	WASHER	1	
25	91490-20020-00	PIN, COTTER	1	
26	90501-10245-00	SPRING, COMPRESSION	1	
27	1W2-27239-00-00	SEAT, SPRING	1	
28	97011-06020-00	BOLT	1	

CONTINUED ON NEXT FRAME ➤

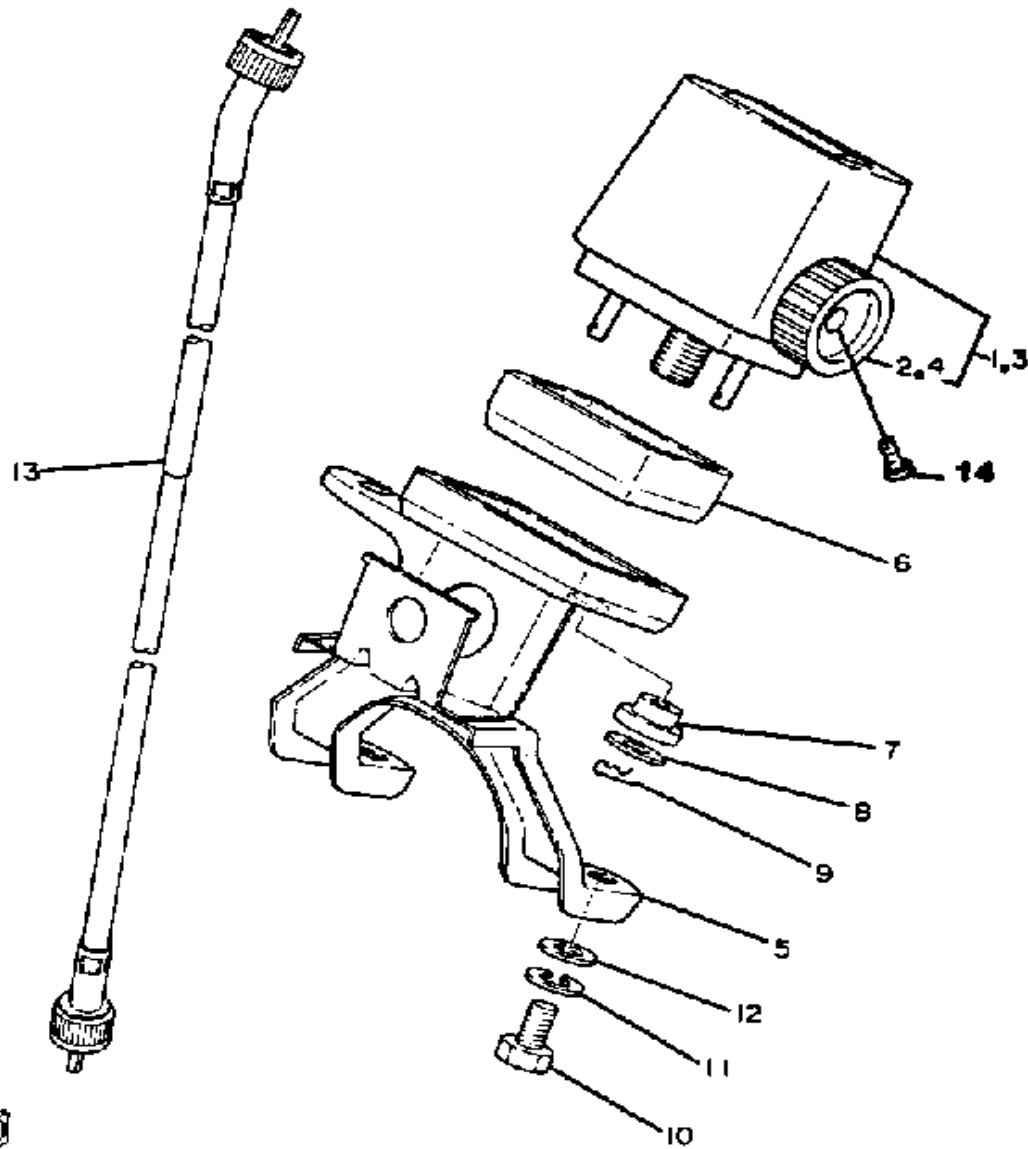
STAND-FOOTREST



Ref. No.	Part Number	Description	Qty	Remarks
29	97011-06020-00	BOLT	1	
30	95380-06700-00	NUT	1	
31	5X8-27311-00-33	STAND, SIDE	1	YAMAHA BLACK
32	95303-08700-00	NUT	1	
33	95303-08700-00	NUT	1	
34	90507-29009-00	SPRING, TENSION	1	

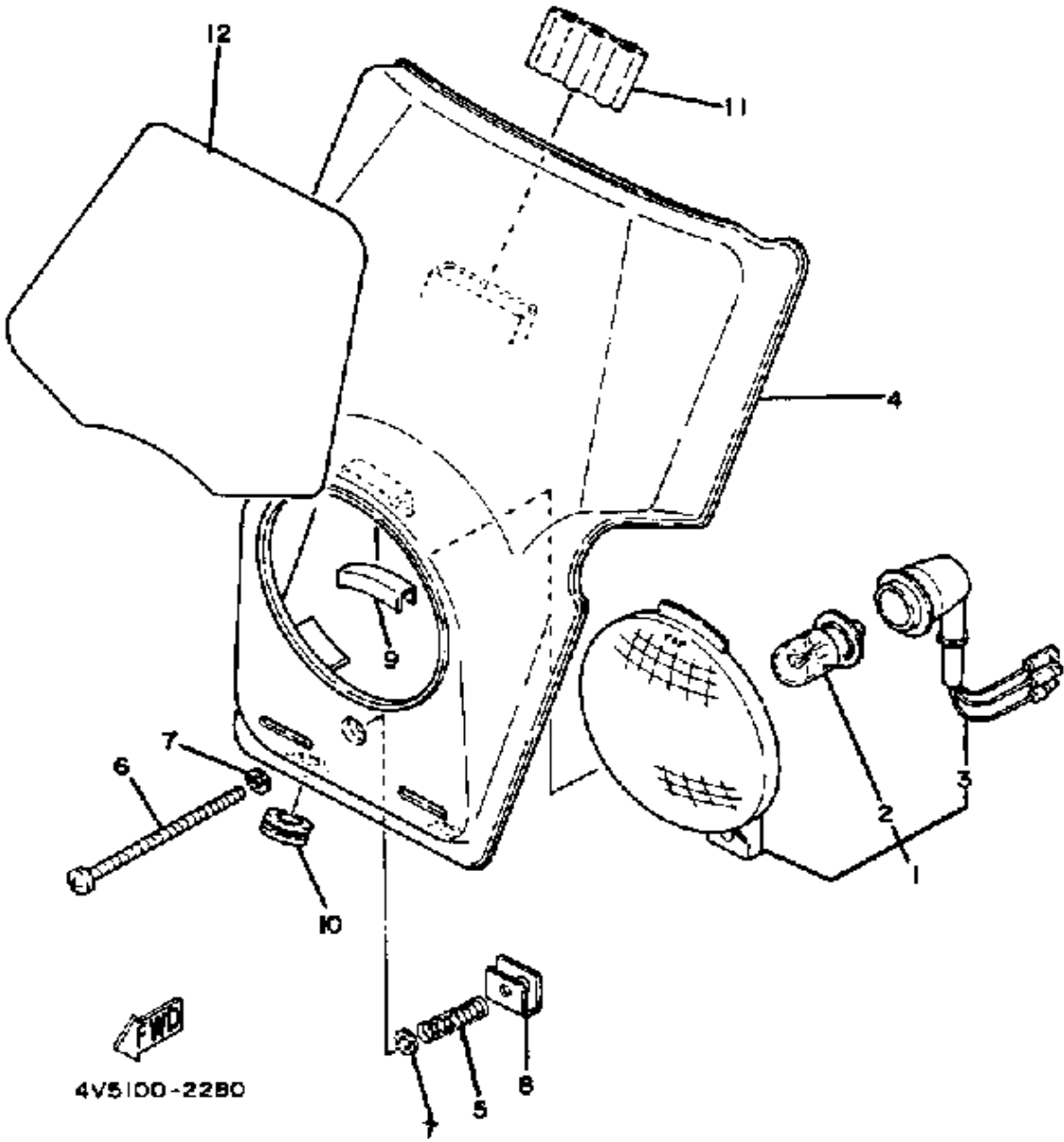
METER

Ref. No.	Part Number	Description	Qty	Remarks
1	4V5-83505-60-00	TRIP METER CMPLT	1	U.R. MILE/H
2	4V5-83578-00-00	. KNOB, TRIP METER	1	
3	4V5-83505-F0-00	TRIP METER CMPLT	1	U.R. KM/H
4	4V5-83578-00-00	. KNOB, TRIP METER	1	
5	4V5-83519-00-00	BRACKET, METER	1	
6	4V5-83513-00-00	DAMPER	1	
7	1M1-83526-00-00	DAMPER 2	2	
8	90201-052E2-00	WASHER, PLATE	2	
9	90468-10050-00	CLIP	2	
10	97013-06012-00	BOLT	2	
11	92995-06100-00	WASHER, SPRING	2	
12	92901-06600-00	WASHER	2	
13	4V5-83550-01-00	SPEEDOMETER CABLE	1	
14	90157-02031-00	SCREW, PAN HEAD	1	



5X8100-2270

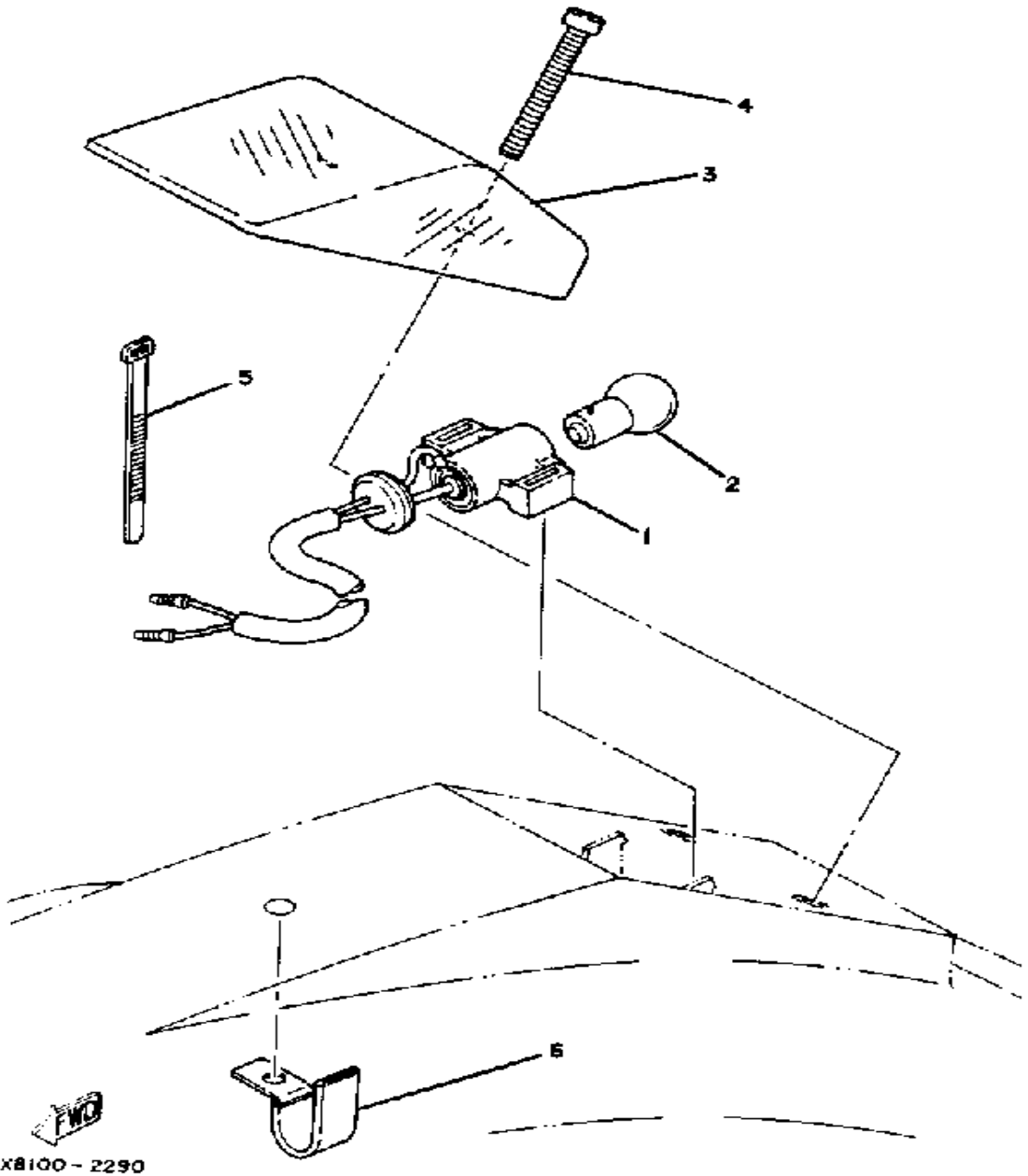
HEADLIGHT



Ref. No.	Part Number	Description	Qty	Remarks
1	4V5-84110-00-00	HEADLIGHT UNIT ASSEMBLY .	1	
2	527-84114-09-XX	. BULB, HL 6V25/25W	1	
3	4V5-84140-00-00	. SOCKET CORD ASSEMBLY .	1	
4	4V5-84130-10-00	BODY ASSEMBLY, HEADLIGHT	1	SKY BLUE
5	4V5-84132-00-00	SPRING, SCREW	1	
6	849-84724-00-00	SCREW, LENS FITTING	1	
7	92901-04600-00	WASHER, PLATE	2	
8	4V5-84134-00-00	NUT, ADJUST	1	
9	(4V5-84143-00-00)	DAMPER, HDLT STAY	1	
10	90480-12053-00	GROMMET	2	
11	4V5-83592-00-00	DAMPER	1	
12	4V5-84141-00-00	EMBLEM, HEADLIGHT	1	

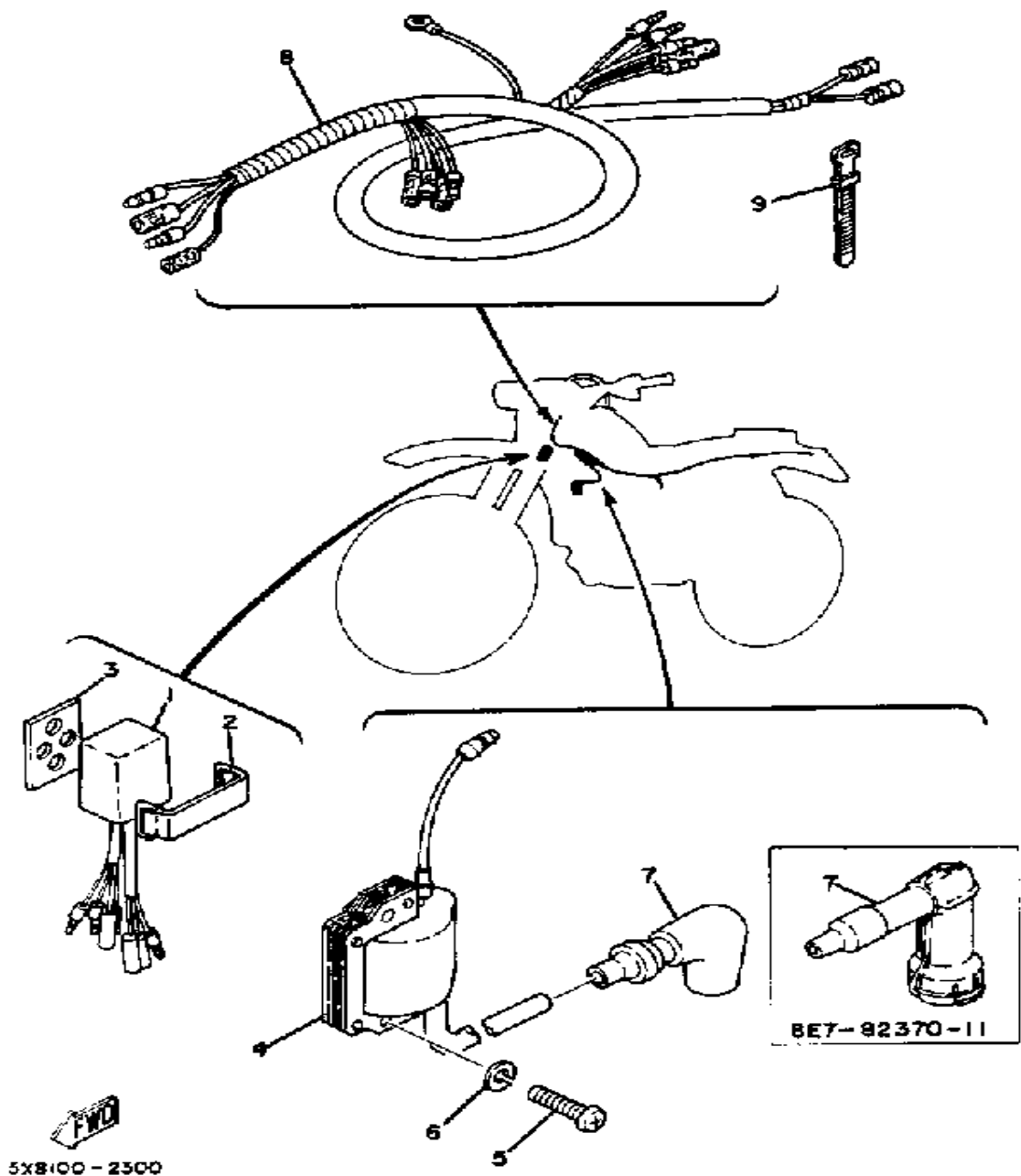
TAILLIGHT

Ref. No.	Part Number	Description	Qty	Remarks
1	54G-84530-00-00	SOCKET ASSEMBLY	1	
2	3R9-84514-00-00	BULB	1	
3	3R9-84521-00-00	LENS, TAILLIGHT	1	
4	98501-04035-00	SCREW, PAN HEAD	2	
5	437-83936-01-00	BAND, SWITCH CORD	2	
6	90462-05005-00	CLAMP	1	

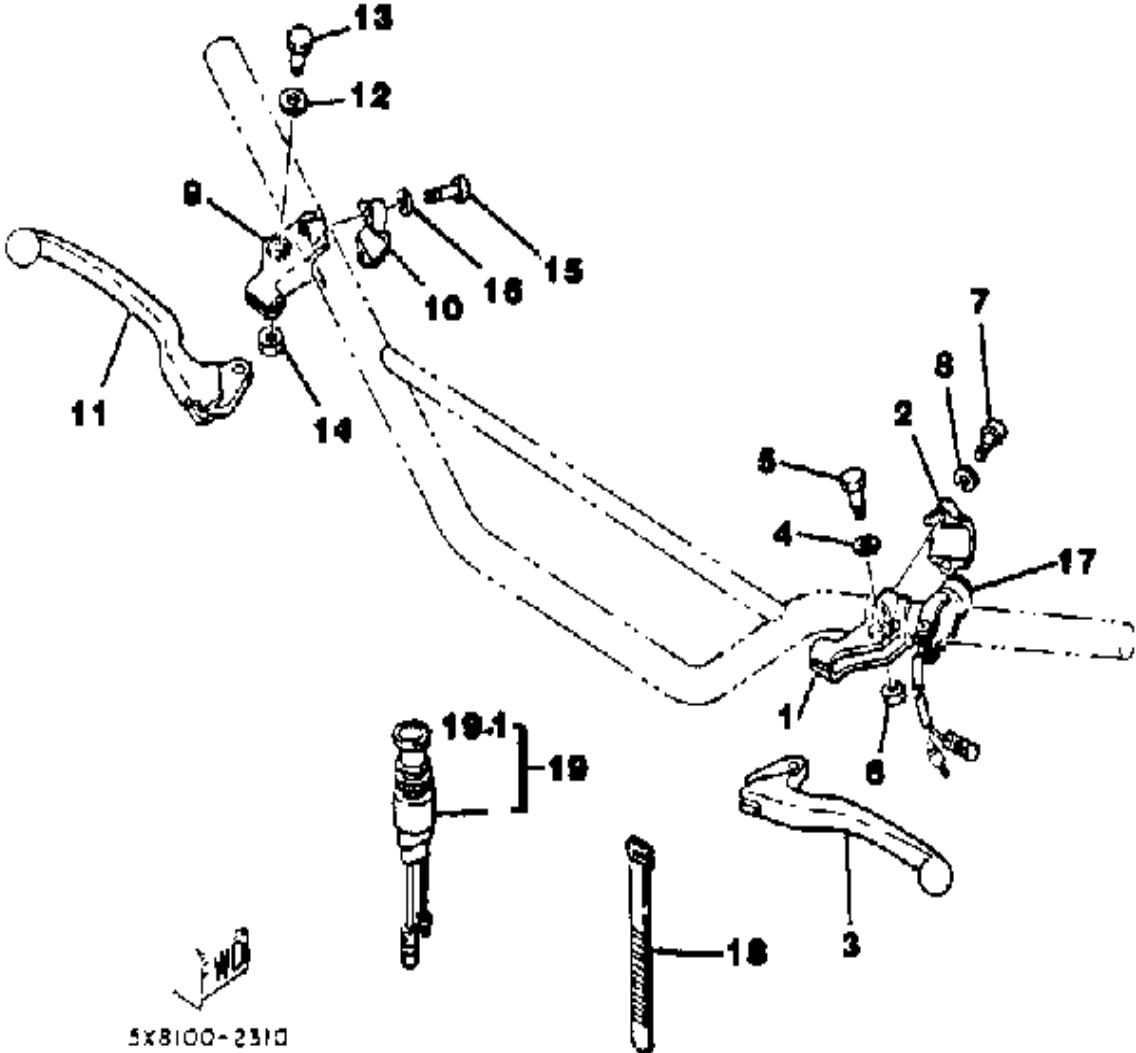


ELECTRICAL 1

Ref. No.	Part Number	Description	Qty	Remarks
1	2W6-85540-20-00	CDI UNIT ASSEMBLY	1	
2	21V-21376-00-00	BAND, TOOL	1	
3	2K7-85547-00-00	DAMPER	1	
4	5G4-82310-40-00	IGNITION COIL ASSEMBLY (J17-82310-21)	1	
5	98511-06025-00	SCREW PAN HEAD (92501-06025)	2	
6	92995-06100-00	WASHER, SPRING	2	
7	81E-82370-20-00	PLUG CAP ASSEMBLY	1	U.R.
	8E7-82370-11-00	PLUG CAP ASSEMBLY	1	U.R. WITH NOISE SUPPRESSOR
8	(5X8-82590-00-00)	WIRE HARNESS ASSEMBLY ..	1	
9	437-83936-01-00	BAND, SWITCH CORD	4	



HANDLE SWITCH-LEVER



Ref. No.	Part Number	Description	Qty	Remarks
1	5F6-82911-00-00	HOLDER, LEVER 1	1	
2	4V4-82913-00-00	HOLDER, LEVER LOWER 1	1	
3	23X-83912-00-00	LEVER 1	1	
4	90201-08083-00	WASHER, PLATE	1	
5	90109-06797-00	BOLT	1	
6	95601-06100-00	NUT, U	1	
7	98506-05020-00	SCREW, PAN HEAD	2	
8	92906-05100-00	WASHER, SPRING	2	
9	38V-82921-00-00	HOLDER, LEVER 2	1	
10	4V4-82913-00-00	HOLDER, LEVER LOWER 1	1	
11	23X-83922-00-00	LEVER 2	1	
12	90201-08083-00	WASHER, PLATE	1	
13	90109-06797-00	BOLT	1	
14	95601-06100-00	NUT, U	1	
15	98506-05020-00	SCREW, PAN HEAD	2	
16	92906-05100-00	WASHER, SPRING	2	
17	23X-83976-00-00	SWITCH, HANDLE 1	1	
18	437-83936-01-00	BAND, SWITCH CORD	2	
19	4V5-82520-00-00	LIGHT SWITCH ASSEMBLY	1	
19-1	14V-50000-0X-X0	UNAVAILABLE IN PRICE BOOK (BW2-00000-00)	1	